

4

3

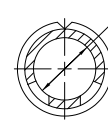
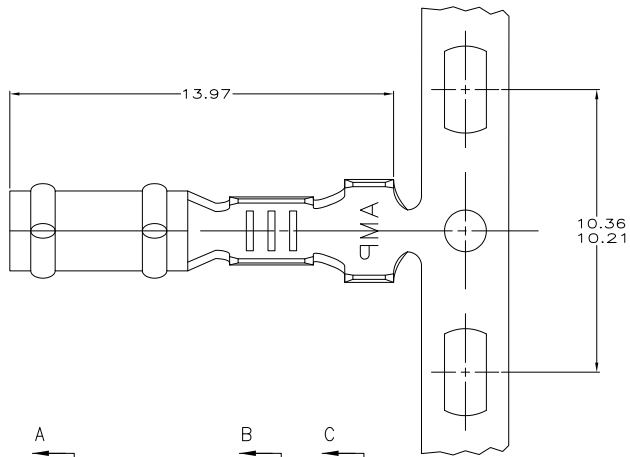
2

1

THIS DRAWING IS UNPUBLISHED. RELEASED FOR PUBLICATION. ALL RIGHTS RESERVED.

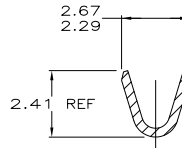
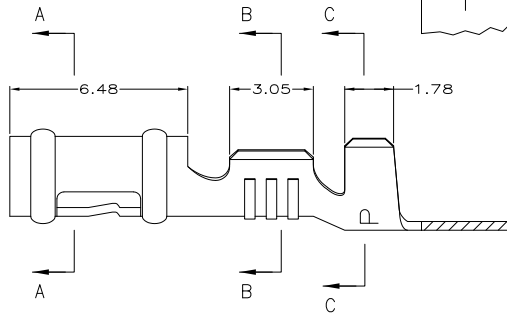
LOC	DIST	REVISIONS		
CM	52	F	LW	
		L2	REVISED PER ECO-11-004917	
				DATE
				11MAR11
				BY
				RK HMR

1. WIRE RANGE: 0.3 - 0.9 MM² (22 - 18 AWG)
 2. INSULATION RANGE: 1.52 - 2.79
- ⚠ REVERSE REEL OF PART NUMBER 61291-5.

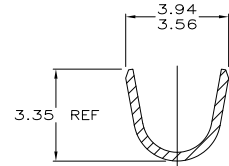


SECTION A-A

MATES TO 2.36 DIAMETER PCB PIN, P/N 61137-1



SECTION B-B



SECTION C-C

61291-5
 61291-1
 PART NUMBER

MM	IN	MM	IN	MM	IN	MM	IN
2.29	.090	3.05	.120	10.21	.402	-	-
1.78	.070	2.79	.110	6.48	.255	-	-
1.52	.060	2.67	.105	3.94	.155	-	-
0.32	.013	2.41	.095	3.56	.140	13.97	.550
0.13	.005	2.36	.093	3.35	.132	10.36	.408

CONVERSION TABLE

METRIC

THIS DRAWING IS A CONTROLLED DOCUMENT.

DIMENSIONS: mm	DESIGNED BY: T. BECK	DATE: 6-16-97	
TOLERANCES UNLESS OTHERWISE SPECIFIED:	CHK: J. SWING	DATE: 6-16-97	
0 PLG ± .01	DRAWN BY: J. BRIDGICK	DATE: 8-22-97	
1 PLG ± .01	PRODUCT SPEC: 108-1025		
2 PLG ± .015	APPLICATION SPEC: 114-1008		RECEPTACLE, .093 DIAMETER, 22-18 AWG, .060-.110 INSULATION, P.C. CONTACT
3 PLG ± .01	FINISH: PRE TIN		RESTRICTED TO
4 PLG ± .01			A2
ANGLES ± .5°	MATERIAL: 0.32 PH BRZ		SIZE: A2
			CAGE CODE: 00779
			DRAWING NO: C-61291
			CUSTOMER DRAWING
			SCALE: 10:1
			SHEET: 1 of 1
			REV: L2

1471-9 (3/11)

61291

A