

4

3

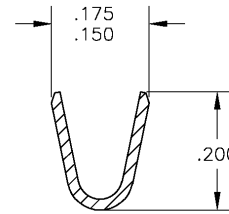
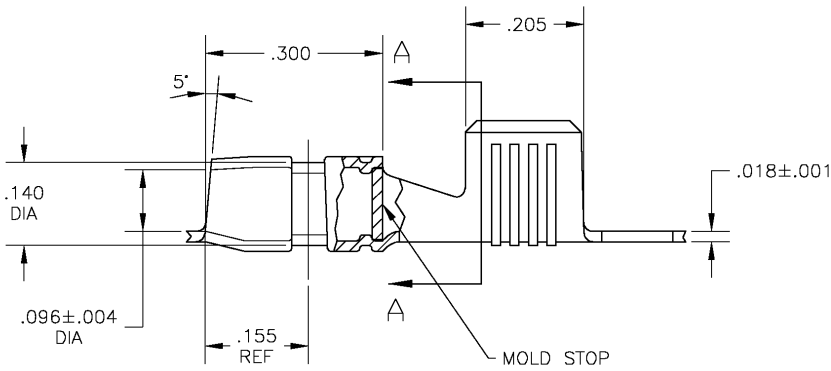
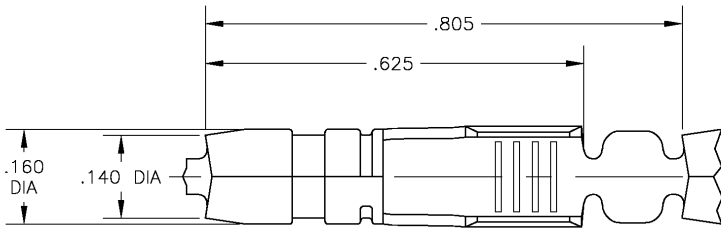
2

1

THIS DRAWING IS UNPUBLISHED. RELEASED FOR PUBLICATION
 © COPYRIGHT - BY TYCO ELECTRONICS CORPORATION. ALL RIGHTS RESERVED.

LOC		DIST		REVISIONS			
P	LTR	DESCRIPTION		DATE	DWN	APVD	
	C	REL PER OG3A-009B-05		09MAR05	JR	DD	

- 1 CONTINUOUS STRIP ON REELS
- 2 WIRE SIZE IS #10-#14 (9600 CMA MAX)
OR TWO #14'S
- 3 .000130 MAX PRE-TIN



1742039-1

PART NO

THIS DRAWING IS A CONTROLLED DOCUMENT.		DWN	JR RUTH	19DEC2003	Tyco Electronics	Tyco Electronics Corporation Harrisburg, Pa 17105-3608	
DIMENSIONS: INCHES		CHK	D DECKER	19DEC03		NAME	SHUR PLUG, .156 DIA
TOLERANCES UNLESS OTHERWISE SPECIFIED:		APVD	D DECKER	19DEC03	PRODUCT SPEC	-	
0 PLC	± -	APPLICATION SPEC		SIZE		CAGE CODE	DRAWING NO
1 PLC	± -	MATERIAL		WEIGHT		RESTRICTED TO	
2 PLC	± -	OB1 BRASS		-		-	
3 PLC	± .010	FINISH		A3		00779	C-1742039
4 PLC	± -	MATERIAL		CUSTOMER DRAWING		SCALE 1:1 SHEET 1 OF 1 REV C	
ANGLES	± 1°	FINISH		-		-	

AMP 1470-19 REV 31MAR2000