

4

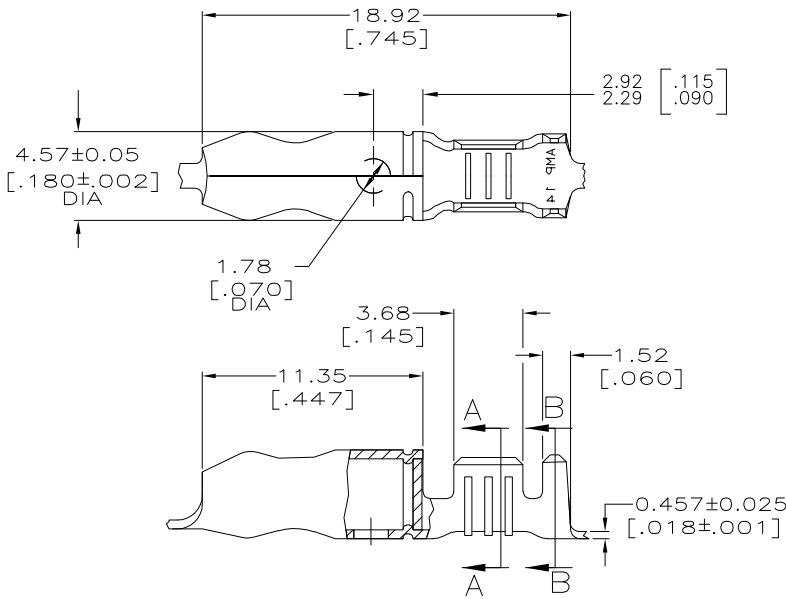
3

2

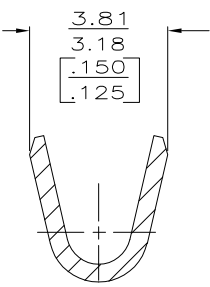
1

THIS DRAWING IS UNPUBLISHED. RELEASED FOR PUBLICATION
 © COPYRIGHT - BY TYCO ELECTRONICS CORPORATION. ALL RIGHTS RESERVED.

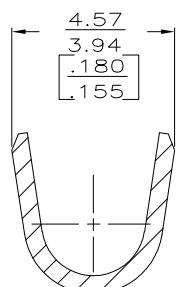
LOC	DIST	REVISIONS			
P	LTR	DESCRIPTION	DATE	DWN	APVD
AF	50	R1	REVISED PER ECR-06028057	03JAN07	MF DD



- 1 CONTINUOUS STRIP ON REEL.
- △2 0.002032 [.000080] MIN TIN PLATE.
- △3 0.002032 [.000080] MIN TIN PLATE OVER 0.00127 [.000050] MIN NICKEL UNDERPLATE.
- △4 WITH INTERLEAVING PAPER
- △5 0.00508 [.000200] MIN SILVER PLATE OVER 0.00127 [.000050] MIN NICKEL PLATE
- △6 0.000762 [.000030] MIN GOLD OVER 0.00127 [.000050] MIN NICKEL UNDERPLATE.
- 7 WIRE SIZE IS [#18-#14] AWG
- 8 INSULATION RANGE IS 2.29-3.18 [.090-.125] DIA
- △9 PRELIMINARY - NOT FOR PRODUCTION



SECTION A-A
SCALE 10:1



SECTION B-B
SCALE 10:1

△5	081 BRASS	△9	60793-7
△6	081 BRASS	△9	60793-6
△2	081 BERYLLIUM COPPER	△9	60793-5 △4
△2	081 BRASS		60793-4
△3	081 BRASS		60793-3
△2	081 BRASS		60793-1
FINISH		MATERIAL	
PART NUMBER			

DIMENSIONS:		TOLERANCES UNLESS OTHERWISE SPECIFIED:		DWN		Tyco Electronics Corporation	
mm	(INCHES)	0 PLC	± -	11/NOV/96	Harrisburg, Pa 17105-3608		
		1 PLC	± -	CHK	PHILLIP M. FORTNEY		
		2 PLC	± 0.25 [.010]	11/NOV/96	JEFF R RUTH		
		3 PLC	± -	APVD	GARY YETTER		
		4 PLC	± -	NAME		SHUR PLUG, 4.57 [.180] DIA	
		ANGLES	± -	PRODUCT SPEC		-	
MATERIAL		FINISH		APPLICATION SPEC		-	
SEE TABLE		SEE TABLE		WEIGHT		-	
				SIZE		A3	
				CAGE CODE		00779	
				DRAWING NO		C-60793	
				RESTRICTED TO		-	
CUSTOMER DRAWING				SCALE		5:1	
				SHEET		1 OF 1	
				REV		R1	