

4

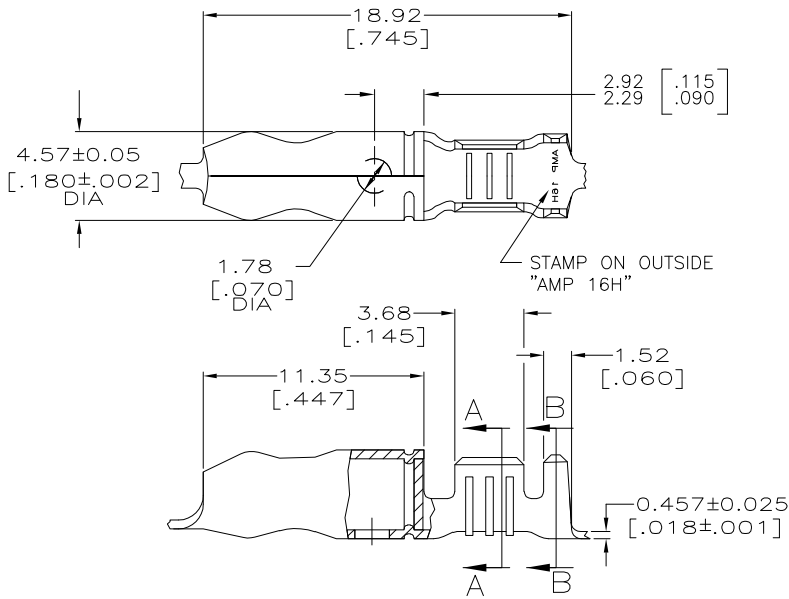
3

2

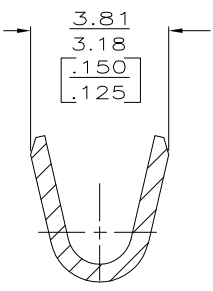
1

THIS DRAWING IS UNPUBLISHED. RELEASED FOR PUBLICATION
 © COPYRIGHT - BY TYCO ELECTRONICS CORPORATION. ALL RIGHTS RESERVED.

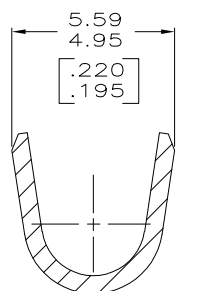
LOC	DIST	REVISIONS			
P	LTR	DESCRIPTION	DATE	DWN	APVD
AF	50	N1	REVISED PER ECR-06028057	03JAN07	MF DD



- 1 CONTINUOUS STRIP ON REEL.
- 2 0.02032 [.000080] MIN TIN PLATE.
- 3 WIRE RANGE: #18-#14 AWG.
- 4 INSULATION RANGE: 3.05-4.45 [.120-.175] DIA.



SECTION A-A
SCALE 10:1



SECTION B-B
SCALE 10:1

THIS DRAWING IS A CONTROLLED DOCUMENT.

DIMENSIONS:	TOLERANCES UNLESS OTHERWISE SPECIFIED:
mm (INCHES)	
0 PLC	± -
1 PLC	± -
2 PLC	± 0.25 [.010]
3 PLC	± -
4 PLC	± -
ANGLES	± -

MATERIAL: SEE TABLE
FINISH: SEE TABLE

-	081 BRASS	60660-2
2	081 BRASS	60660-1
FINISH	MATERIAL	PART NUMBER
DWN: MICHAEL S. FEHER CHK: DONALD F. DECKER APVD: DONALD F. DECKER	Tyco Electronics Corporation Harrisburg, Pa 17105-3608	
PRODUCT SPEC	NAME: SHUR PLUG, 4.57 [.180] DIA	
APPLICATION SPEC		
WEIGHT	SIZE: A3 CAGE CODE: 00779 DRAWING NO: C-60660	RESTRICTED TO: -
CUSTOMER DRAWING	SCALE: 5:1	SHEET 1 OF 1 REV N1