

4

3

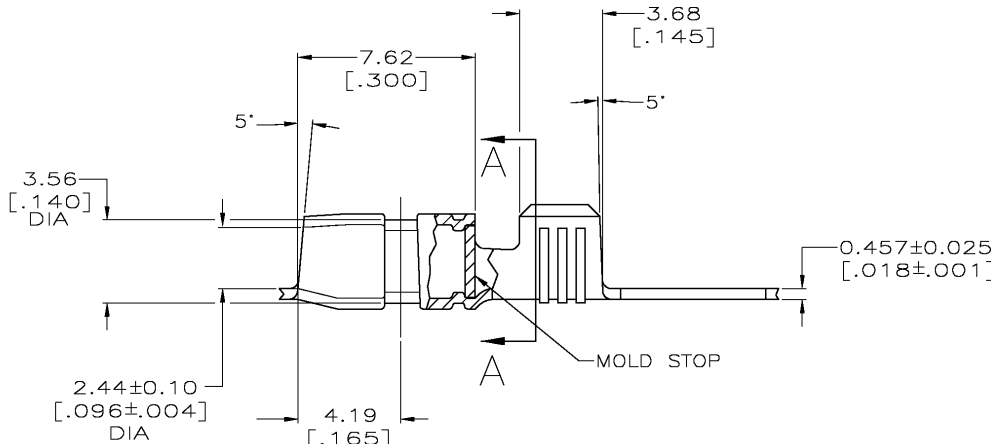
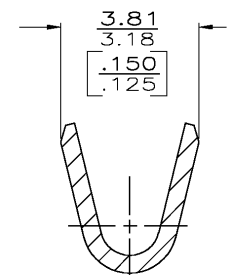
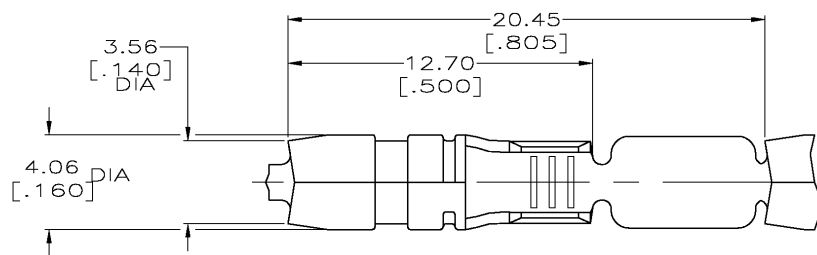
2

1

THIS DRAWING IS UNPUBLISHED. RELEASED FOR PUBLICATION
 © COPYRIGHT - BY TYCO ELECTRONICS CORPORATION. ALL RIGHTS RESERVED.

LOC	DIST	REVISIONS				
P	LTR	DESCRIPTION	DATE	DWN	APVD	
AF	50	N	REV PER OG3A-0808-04	18JAN05	JR DD	

- 1 CONTINUOUS STRIP ON REEL.
- 2 WIRE SIZE IS [18-14] AWG
- △ 3 0.003302 [.000130] MAX PRE-TIN PL.



61802-1
 PART NO.

THIS DRAWING IS A CONTROLLED DOCUMENT.		DWN PHILLIP M. FORTNEY 30/SEP/94	Tyco Electronics Corporation Harrisburg, Pa 17105-3608	
DIMENSIONS: INCHES		CHK JEFF R. RUTH 30/SEP/94	NAME SHUR PLUG, 3.96 [.156] DIA	
TOLERANCES UNLESS OTHERWISE SPECIFIED: 1 2 3 4 ANGLES		APVD R KUZO 30/SEP/04	PRODUCT SPEC APPLICATION SPEC WEIGHT	
MATERIAL 081 BRASS	FINISH - △ 3	SIZE A3	CAGE CODE 00779	DRAWING NO C-61802
CUSTOMER DRAWING		SCALE 6:1	SHEET 1 OF 1	REV N

AMP 1470-19 REV 31MAR2000