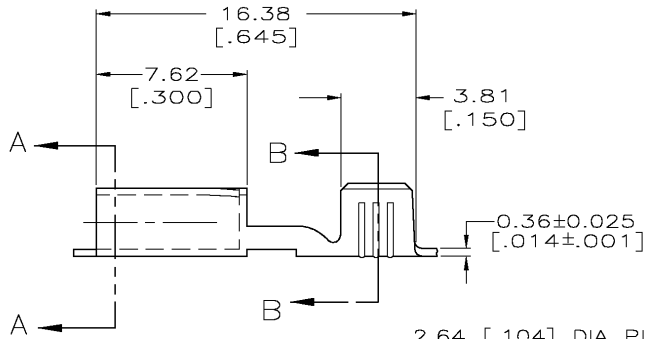
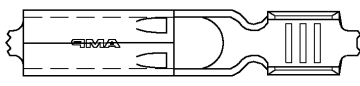


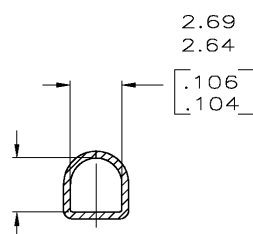
THIS DRAWING IS UNPUBLISHED. RELEASED FOR PUBLICATION
 © COPYRIGHT - BY TYCO ELECTRONICS CORPORATION. ALL RIGHTS RESERVED.

| LOC | DIST | REVISIONS | | | | |
|-----|------|-------------|--------------------------|---------|-------|--|
| P | LTR | DESCRIPTION | DATE | DWN | APVD | |
| AF | 50 | L | REVISED PER OG3A-0319-04 | 28APR04 | JR DD | |

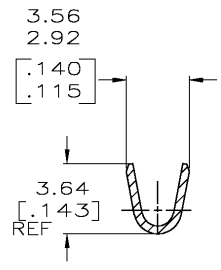
- 1 CONTINUOUS STRIP ON REELS
- 2 WIRE SIZE IS [#18-#14] AWG.
- 3 0.00076 [.000030] MIN GOLD PLATE OVER
0.00127 [.000050] MIN NICKEL PLATE
- 4 PRELIMINARY - NOT FOR PRODUCTION.



2.64 [.104] DIA PIN MUST GO
 2.69 [.106] SPECIAL GAGE PIN
 MUST NOT GO.



SECTION A-A



SECTION B-B

| | | |
|------------------------------|---|----------|
| 0.00508 [.000200] MIN SILVER | 4 | 61012-4 |
| 0.002032 [.000080] MIN TIN | | 61012-3 |
| 3 | 4 | 61012-2 |
| - | | 61012-1 |
| FINISH | | PART NO. |

| | | | | | |
|--|---------------------|-----------------------------|--------------|---|----------|
| THIS DRAWING IS A CONTROLLED DOCUMENT. | | DWN JR RUTH 07NOV00 | | Tyco Electronics Corporation Harrisburg, PA 17105-3608 | |
| DIMENSIONS: MM | | CHK MS FEHER 07NOV00 | | NAME .109 DIA PIN RECEPTACLE | |
| TOLERANCES UNLESS OTHERWISE SPECIFIED: | | APVD D DECKER 07NOV00 | PRODUCT SPEC | | |
| 0 PLC ± - | | APPLICATION SPEC | | | |
| 1 PLC ± - | | WEIGHT | | | |
| 2 PLC ± 0.38 [.015] | | SIZE CAGE CODE DRAWING NO | | | |
| 3 PLC ± - | | A3 00779 C-61012 | | | |
| 4 PLC ± - | | RESTRICTED TO | | | |
| ANGLES ± - | | CUSTOMER DRAWING | | | |
| MATERIAL H04 BRASS | FINISH SEE TABLE | SCALE 5:1 | | SHEET 1 of 1 | REV L |