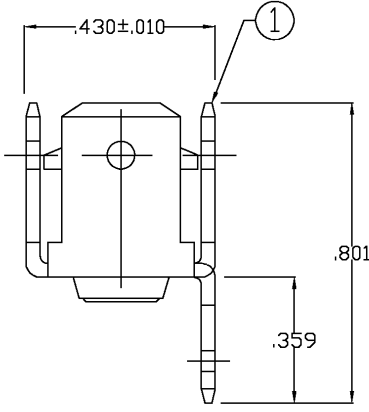
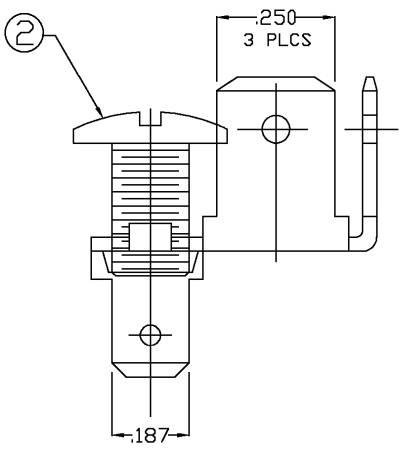
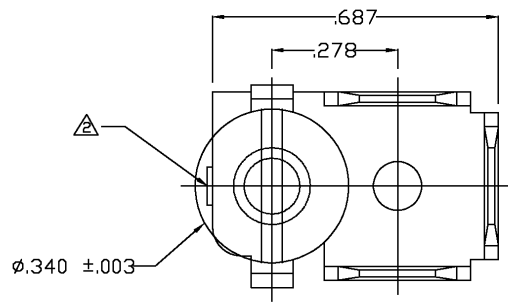


THIS DRAWING IS UNPUBLISHED. RELEASED FOR PUBLICATION .19  
 © COPYRIGHT 19 BY AMP INCORPORATED. ALL RIGHTS RESERVED. OCT-17-96

P	LTR	DESCRIPTION	DATE FECHA	DWN DIBUJADO	APVD APROBADO
	Q	RELEASED	2/8/93	B.A.	B.A.
A		REDRAWN & ADD DIMENSIONS	2/8/93	B.A.	B.A.
B		ADD DIM & SCREW SPECIFICATION	2/8/96	ACH	ACH
C		LM00 - 0009 - 97	27/1/97	ACH	ACH
D		LM00 - 0110 - 97	14/5/97	ACH	ACH
E		0G3A-0577-02	19/09/02	JR	ND



NOTES:



PART NUMBER	DESCRIPTION
157423-1	Binding Head .340dia #10-32 .312 long. Brass Screw (Electrical Type)
157423-2	Binding Head .340dia #10-32 .312 long. Brass Screw (Electrical Type) Bright Nickel Finish



- CUTOFF MAX. ALLOWED 0.015
- 3 TORQUE OF 2-8 LB-IN ON SETTING OF SCREW
- 4 THREADS DEFORMED SO AS NOT TO ALLOW REMOVAL OF THE SCREW
- 5 PART TO BE CLEAN AND OIL FREE

2	157423-2	SCREW (NICKEL PLATED)	1	△		NONE	
2	157423-1	SCREW	1	△		NONE	
1	157422-1	TAB FASTON .250 8 .187S.	1	1	BRASS 100-86	0.032+-0.001 082	
ITEM	PART NUMBER	DESCRIPTION	QTY	REVISION	MATERIAL	DIMENSIONS	HEAT TREAT
<small>THIS DRAWING IS A TECHNICAL SPECIFICATION FOR AMP INCORPORATED          IT IS SUBJECT TO CHANGE AND THE CONTROLLING ENGINEERING          ORGANIZATION SHALL BE CONTACTED FOR THE LATEST REVISION          ESTA PLANA ES UN DISEÑO CONTROLADO POR AMP          INCORPORATED. ESTA SUJETO A CAMBIOS Y HAY QUE CONTACTAR          AL DEPT. DE INGENIERIA POR LA ÚLTIMA REVISIÓN.</small>			<small>DWN/DIBUJADO          A. CHAVEZ 08/26/96</small> <small>CHK/CONTROLADO          A. CHAVEZ 08/26/96</small> <small>APVD/APROBADO          A. CHAVEZ 08/26/96</small>		<b>AMP</b> AMP de Mexico S.A. Tlalnepantla, Mexico.		
<small>DIMENSIONS:          MEDIDAS: IN.</small>			<small>TOLERANCES UNLESS          OTHERWISE SPECIFIED          TOLERANCIAS SALVO          OTRA INDICACION.</small>		<b>FASTON TAB ASSY</b>		
<small>0 PLC/LUG ±          1 PLC/LUG ±          2 PLC/LUG ±          3 PLC/LUG ± 0.015"          4 PLC/LUG ±          ANGLES/ANGULOS ± 1°</small>			<small>NAME          NOMBRE</small>		<small>SIZE          TAMAÑO</small>		
<small>MATERIAL          FINISH          ACABADO</small>			<small>APPLICATION SPEC          ESPEC. DE APLICACION</small>		<small>CAGE CODE          CODIGO DE CELDA</small>		
<small>FINISH          ACABADO</small>			<small>WEIGHT          PESO</small>		<small>DRAWING NO          PLANO NO</small>		
			<small>SCALE          ESCALA</small>		<small>SHEET          HOJA</small>		
			<small>OF          DE</small>		<small>REV          E</small>		
			<small>1</small>		<small>1</small>		
			<small>1</small>		<small>157431</small>		