

4

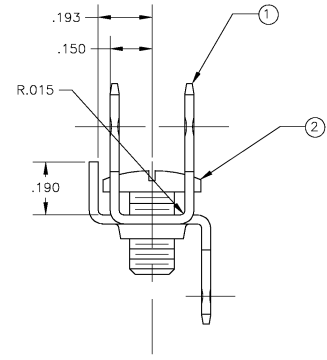
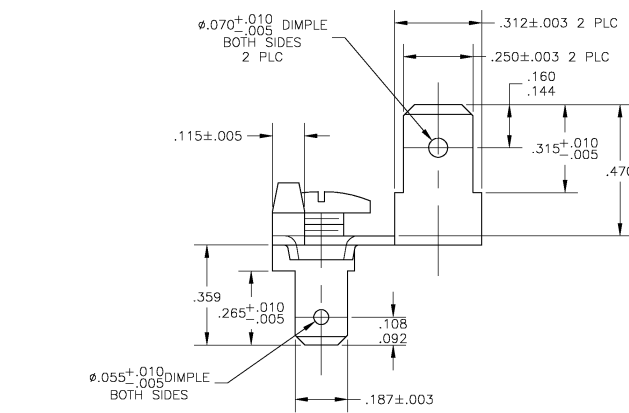
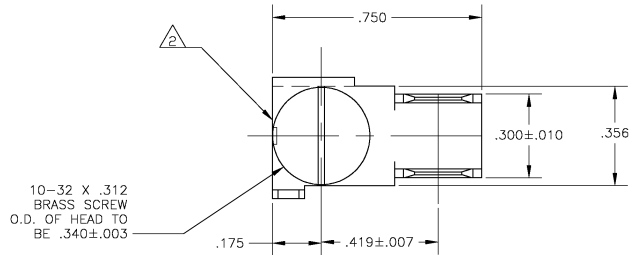
3

2

1

THIS DRAWING IS UNPUBLISHED. RELEASED FOR PUBLICATION BY TYCO ELECTRONICS CORPORATION. ALL RIGHTS RESERVED.

LOC	QTY	REV	DESCRIPTION	DATE	BY	APPD
AF	14					
		C1	REV PER ECR 05-002915	25MAY95	JR	KR



- △ MATERIAL: .032±.001 THK BRASS, 100-86, HEAT TREAT 0.082
- △ .010 MAX CUT-OFF ALLOWED
- 3 ASSEMBLY SCREW AND TORQUE 2-8 LB-IN
- 4 THREADS DEFORMED SO AS NOT TO ALLOW REMOVAL OF THE SCREW.
- 5 PART TO BE CLEAN AND OIL FREE
- △ MATERIAL: BINDING HEAD .340 DIA, #10-32 .312 LONG. BRASS SCREW (ELECTRICAL TAPE)
- △ MATERIAL: BINDING HEAD .340 DIA, #10-32 .312 LONG. BRASS SCREW (ELECTRICAL TAPE) BRIGHT NICKEL FINISH

QTY	REV	DESCRIPTION	DATE	BY	APPD
1		T20737542	25MAY95	JR	KR
1		T20737542	26MAY95	K	K
1		T20737542	26MAY95	K	K

SCREW	FASTON TAB	FASTON TAB	EMERSON	DESCRIPTION	PART NO.
157423-2	157423-1	157728-1	P/N	FASTON TAB ASSEMBLY NICKEL PLATED BRASS SCREW	157727-2
				FASTON TAB ASSEMBLY BRASS SCREW	157727-1

THIS DRAWING IS A CONTROLLED DOCUMENT.		DN: J.R. RUTH	25MAY95	 Tyco Electronics Corporation Harrisburg, Pa 17105-3608
DIMENSIONS: INCHES		CHK: K. RANDOLPH	26MAY95	
TOLERANCE UNLESS OTHERWISE SPECIFIED:		APPD: K. RANDOLPH	26MAY95	NAME: ASSEMBLY, TAB, FASTON, .250 AND 187 SERIES
0 PLC	± .005	PRODUCT SPEC		SIZE: CASE CODE: DRAWING NO: A2 00779 C=157727
1 PLC	± .005	APPLICATION SPEC		RESTRICTED TO: -
2 PLC	± .005	WEIGHT		CUSTOMER DRAWING
3 PLC	± .005			SCALE: 4:1 SHEET 1 OF 1 REV: C1
4 PLC	± .005			
ANGLES	± .1°			
FINISH				

AMP 1471-9 REV 31MAR2000

157727