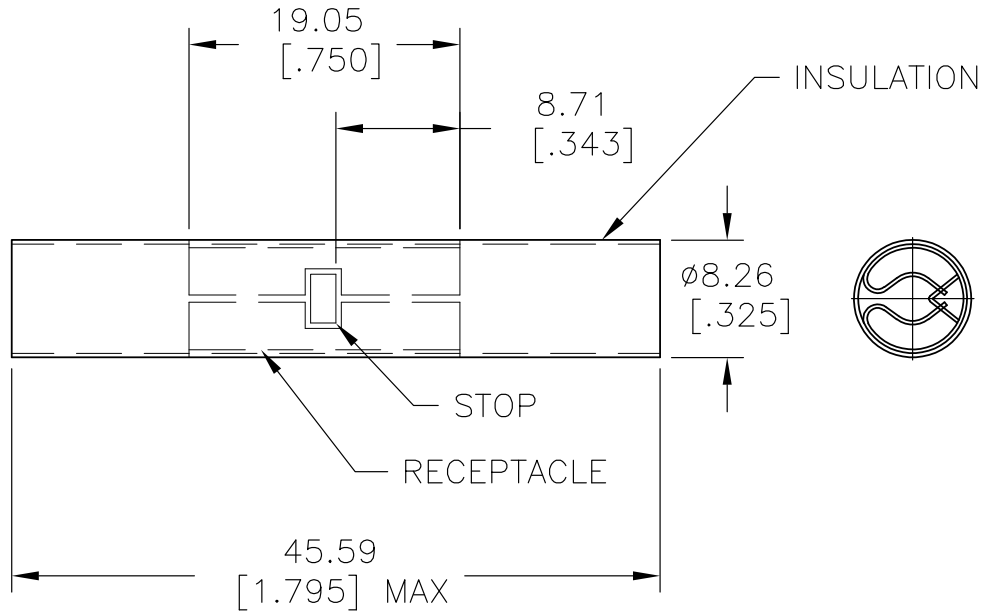


LOC	DIST	REVISIONS					
G	14	P	LTR	DESCRIPTION	DATE	DWN	APVD
			B1	REDRAWN PER ECR-09-004940	06MAR09	HMR	JR



THIS DRAWING IS UNPUBLISHED.
 ALL INTERNATIONAL RIGHTS RESERVED.
 BY TYCO ELECTRONICS CORPORATION.

50	RECEPTACLE: BRASS(MIL-C-50) TIN PL(ASTM-B545)	LOOSE PC, BOX	8-36840-2
1	INSULATION: PVC, COLOR: RED	RECEPTACLE ASSY	36840
QTY	MATERIAL AND FINISH	DESCRIPTION	PART NO.

DIMENSIONS: mm [INCHES]		DWN RAGHAVENDRA 06MAR09	MATERIAL SEE TABLE		FINISH SEE TABLE	
TOLERANCES UNLESS OTHERWISE SPECIFIED:		CHK JEFF RUTH 06MAR09	Tyco Electronics Corporation Harrisburg, PA 17105-3608			
0 PLC ± -		APVD TOM MICHELUTTI 06MAR09				
1 PLC ± -		PRODUCT SPEC	NAME WIRE PLUG RECEPTACLE ASSEMBLY			
2 PLC ± -		APPLICATION SPEC	SIZE	CAGE CODE	DRAWING NO	RESTRICTED TO
3 PLC ± 0.20[.008]			A4	00779	C-36840	-
4 PLC ± -		WEIGHT				
ANGLES ± 5'						
		CUSTOMER DRAWING		SCALE	SHEET	REV
				2:1	1 OF 1	B1