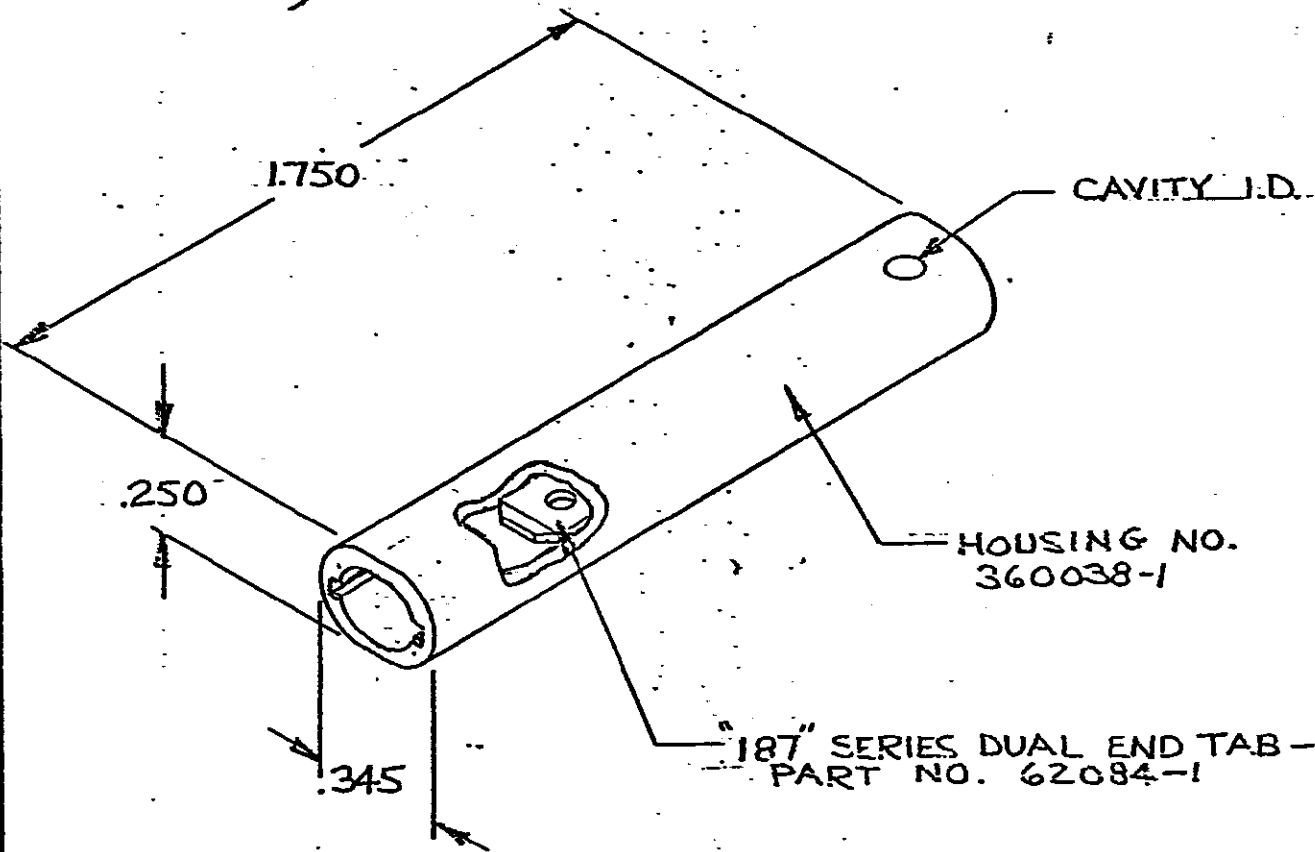
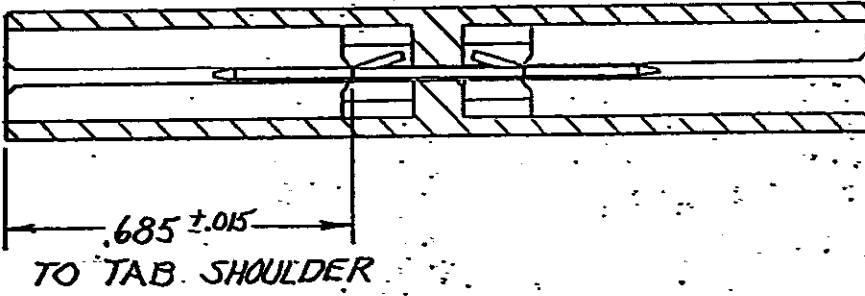


NUMBER 360035



PART NO.
360035-1



DIMENSIONS IN INCHES. DO NOT SCALE PRINT.

Unpublished copy not to be reproduced nor published without written permission of AMP Incorporated

©1973 BY AMP INCORPORATED. ALL RIGHTS RESERVED. AMP PRODUCTS COVERED BY PATENTS AND/OR PATENTS PENDING				CUSTOMER COPY REFERENCE ONLY				
MATERIAL AND FINISH				AMP INCORPORATED HARRISBURG, PENNA.				
NYLON NATURAL				AMP				
WIRE - RANGE - INSULATION				CLASS - - -				
- - -				TYPE - - -				
TOLERANCE EXCEPT AS NOTED = .015 = 1" 0'				SCALE		LOC	NO	REV
NAME				G A		360035		D
187 SERIES IN-LINE SPLICE ASSEMBLY								

PRINT. DIS. 14	LTR		REVISION RECORD	ECN	OP	CHK	DATE
	DR		2-10-73		DE		
	CHK		K ESPENSHADE		APP		
		2-20-73		Edm A. Roberts			