

4

3

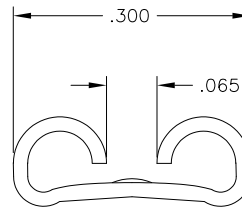
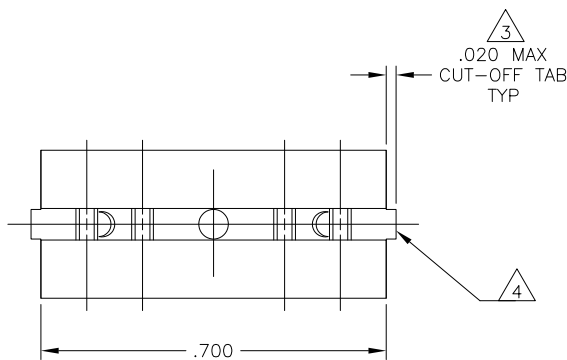
2

1

THIS DRAWING IS UNPUBLISHED. RELEASED FOR PUBLICATION
 © COPYRIGHT - BY TYCO ELECTRONICS CORPORATION. ALL INTERNATIONAL RIGHTS RESERVED.

LOC	DIST	REVISIONS				
P	LTR	DESCRIPTION	DATE	DWN	APVD	
AF	50					
	J3	REVISED PER ECR-10-015795	29JUL10	HMR	PD	

- 1 SUPPLIED IN LOOSE PIECE.
- 2 MATING TAB THK IS $.032 \pm .001$
- 3 LOOSE PIECE AFTER PLATING
- 4 BARE EDGES ARE PERMITTED



VIEW X-X
SCALE 8:1



3 4	SILVER PLATE	61810-3
	TIN PLATE	61810-2
	FINISH	PART NO.

THIS DRAWING IS A CONTROLLED DOCUMENT.		DWN	JR RUTH	7/16/92	Tyco Electronics Corporation Harrisburg, PA 17105-3608											
DIMENSIONS: INCHES		CHK	MS FEHER	7/16/92												
TOLERANCES UNLESS OTHERWISE SPECIFIED:		APVD	C MEYERS	7/16/92												
<table border="1"> <tr><td>0 PLC</td><td>± -</td></tr> <tr><td>1 PLC</td><td>± -</td></tr> <tr><td>2 PLC</td><td>± -</td></tr> <tr><td>3 PLC</td><td>± .005</td></tr> <tr><td>4 PLC</td><td>± -</td></tr> <tr><td>ANGLES</td><td>± -</td></tr> </table>		0 PLC	± -	1 PLC		± -	2 PLC	± -	3 PLC	± .005	4 PLC	± -	ANGLES	± -	NAME	
0 PLC	± -															
1 PLC	± -															
2 PLC	± -															
3 PLC	± .005															
4 PLC	± -															
ANGLES	± -															
MATERIAL	BRASS	FINISH	SEE TABLE	WEIGHT	-	SIZE	A3	CAGE CODE	00779	DRAWING NO	C-61810	RESTRICTED TO	-			
CUSTOMER DRAWING										SCALE	5:1	SHEET	1 of 1	REV	J3	