

4

3

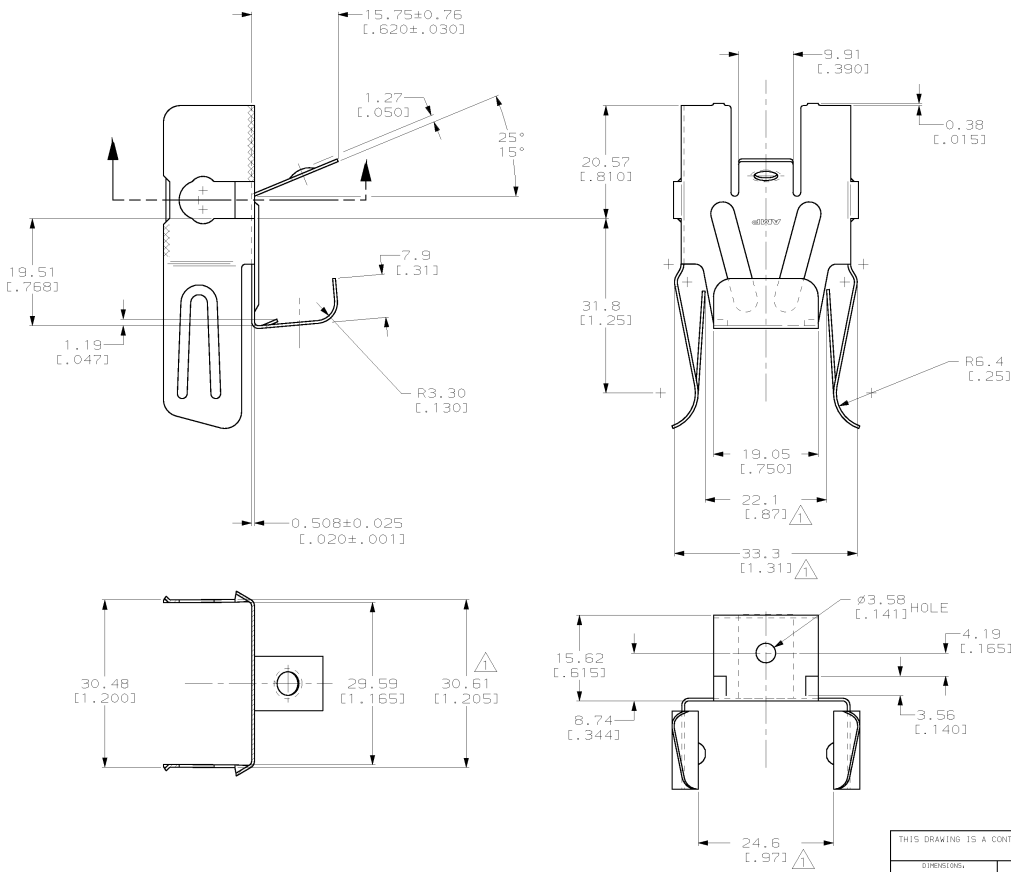
2

1

THIS DRAWING IS UNPUBLISHED. RELEASED FOR PUBLICATION. BY AMP INCORPORATED. ALL RIGHTS RESERVED.

| REV | DATE | DESCRIPTION | BY | CHK | APP'D |
|-----|------|----------------------|----|-----|-------|
| AF | 50 | | | | |
| AF | | REL PER 063A-0640-01 | | | |

- ① DIMENSION TO BE CHECKED WHEN SIDES ARE PARALLEL WITH [1.215] DIM.
- ② 10-32 MACHINE SCREW.



640751-1
PART NO.

| | | | | | |
|--|--|------------------------------------|--|---|------------------|
| THIS DRAWING IS A CONTROLLED DOCUMENT. | | DWG: MICHAEL S. FEJER [4FEB2001] | AMP AMP Incorporated Harrisburg, PA 17105-3608 | NAME: CLIP, CONNECTOR, HEAVY DUTY BURNER | RESTRICTED TO: - |
| DRAWN BY: DONALD D. BECKER [4FEB2001] | | CHK: DONALD D. BECKER [4FEB2001] | | | |
| DIMENSIONS: MM (INCHES) | | APP'D: DONALD D. BECKER [4FEB2001] | DATE: 06/27/01 | CAGE CODE: 640751 | SHEET: 1 OF 1 |
| TOLERANCES UNLESS OTHERWISE SPECIFIED: | | PRODUCT SPEC: - | APPLICATION SPEC: - | REV: C | REV: AF |
| HOLE: Ø3.58 [0.141] | | FINISH: - | MATERIAL: 1/4HARD STAINLESS STEEL | CUSTOMER DRAWING | SCALE: 2:1 |

640751

A