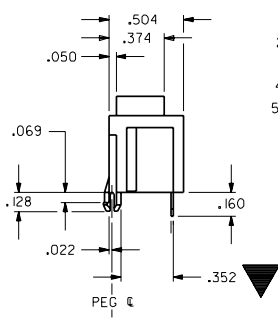
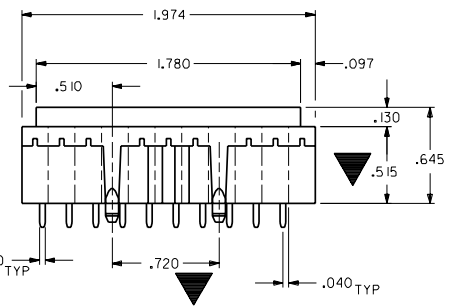
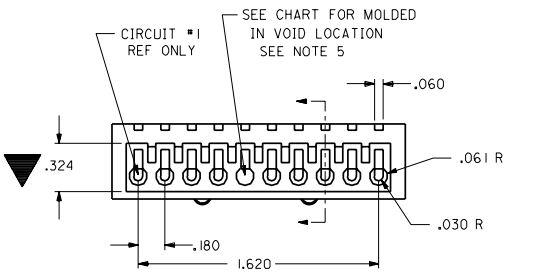
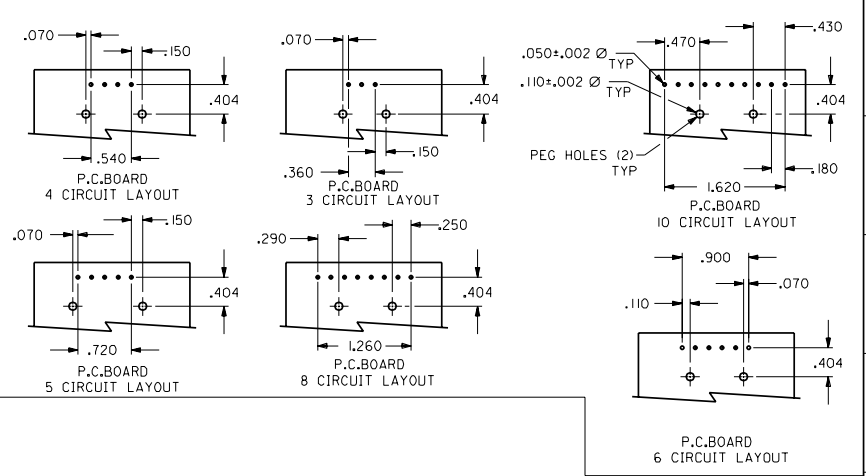
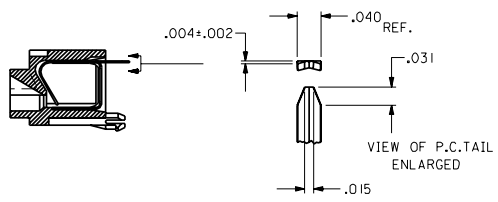


HOUSING TO BE MOLDED IN 3,4,5,6,8&10 CIRCUITS AS SHOWN
 NOTE P.C.BOARD LOCKING PEG LOCATIONS



- NOTES:
- FOR USE WITH 16AWG SOLID & 18AWG SOLID OR STRANDED WIRE WITH TIN TOP COAT OR 20AWG STRANDED WIRE WITH TIN TOP COAT. INSULATION O.D. .079/.118.
 - SUGGESTED STRIP LENGTH OF MATED WIRE TO BE WITHIN .320-.380 LONG.
 - MONITORED OR CHARTED DIMENSIONS.
 - FOR PRODUCT SPECIFICATIONS SEE PS-42732.
 - TUBE PACK PER: PK-44743-003

MATERIAL:
 HOUSING- POLYESTER (7 1/2% GLASS FILLED); COLOR- WHITE
 TERMINAL- .013 THICK PHOS. BRONZE PRE-TIN PLATE



ADD/REL -2083 UCR1999-0528 99-2-12 SAMEIC		R3	DIMENSIONS SHOWN METRIC INCH UNLESS OTHERWISE SPECIFIED TOLERANCES: ANGULAR ± 1/2°		▽=0 ▽=9	REVISE ONLY ON CAD SYSTEM
REV TUBE TO WW ST UCR2000-0817 8-10-00 SAMEIC		R2	INCH METRIC 3 PLACE ± .003 --- 4 PLACE ± .0016 ± .023 5 PLACE --- ± .0085		TITLE WIRE TRAP ASSEMBLY	
ADD/REL 2102 UCR1999-0598 4-4-99 SAMEIC		R1	DRAFT WHERE APPLICABLE MUST REMAIN WITHIN DIMENSIONS		MOLEX INCORPORATED SHEET NO. DATE 1 OF 2 10/26/90	
LTR. REVISIONS		LTR. REVISIONS	DRAWN BY: EDGLEY APP'D: LENZ		PART NO. SDA-42732-0 FILE NAME: 542732X1 THIS DRAWING CONTAINS INFORMATION THAT IS PROPRIETARY TO MOLEX INC. AND SHOULD NOT BE USED WITHOUT WRITTEN PERMISSION.	

42732

2 R4
1 S
MFG. SH. REV.

