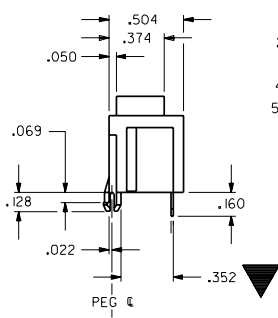
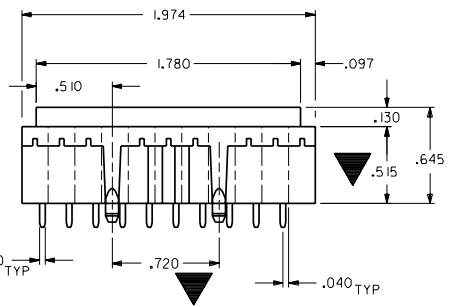
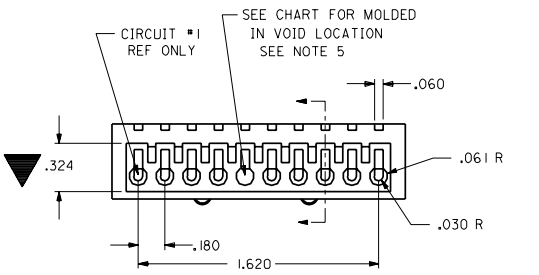
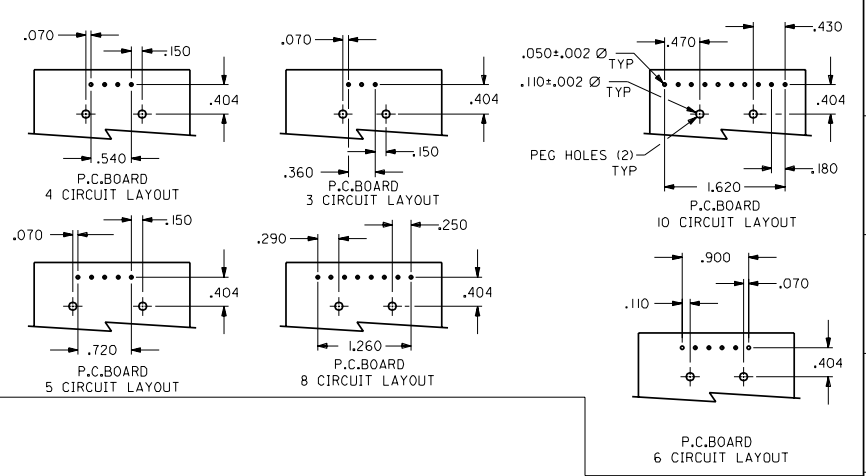
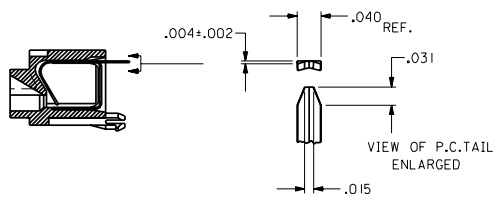


HOUSING TO BE MOLDED IN 3,4,5,6,8&10 CIRCUITS AS SHOWN  
 NOTE P.C.BOARD LOCKING PEG LOCATIONS



- NOTES:  
 1. FOR USE WITH 16AWG SOLID & 18AWG SOLID OR STRANDED WIRE WITH TIN TOP COAT OR 20AWG STRANDED WIRE WITH TIN TOP COAT. INSULATION O.D. .079/.118.  
 2. SUGGESTED STRIP LENGTH OF MATED WIRE TO BE WITHIN .320-.380 LONG.  
 3. MONITORED OR CHARTED DIMENSIONS.  
 4. FOR PRODUCT SPECIFICATIONS SEE PS-42732.  
 5. TUBE PACK PER: PK-44743-003

MATERIAL:  
 HOUSING- POLYESTER (7 1/2% GLASS FILLED); COLOR- WHITE  
 TERMINAL- .013 THICK PHOS. BRONZE PRE-TIN PLATE



ADD/REL -2083 UCR1999-0528 99-2-12 SAMEIC		R3	DIMENSIONS SHOWN METRIC INCH UNLESS OTHERWISE SPECIFIED TOLERANCES: ANGULAR ± 1/2°		▽=0 ▽=9	REVISE ONLY ON CAD SYSTEM
REV TUBE TO WW ST UCR2000-0817 8-10-00 SAMEIC		R2	INCH METRIC 3 PLACE ± .003 --- 4 PLACE ± .0016 ± .023 5 PLACE --- ± .0085		TITLE WIRE TRAP ASSEMBLY	
ADD/REL 2102 UCR1999-0598 4-4-99 SAMEIC		R1	DRAFT WHERE APPLICABLE MUST REMAIN WITHIN DIMENSIONS		MOLEX INCORPORATED SHEET NO. DATE 10/26/90	
LTR. REVISIONS		LTR. REVISIONS	DRAWN BY: EDGLEY APP'D: LENZ		PART NO. SDA-42732-0 FILE NAME: 542732X1 THIS DRAWING CONTAINS INFORMATION THAT IS PROPRIETARY TO MOLEX INC. AND SHOULD NOT BE USED WITHOUT WRITTEN PERMISSION.	

42732  
 2 R4  
 T S  
 MFG. SH. REV.  
 10/26/90  
 SDA-42732-0  
 C C

	13	12	11	10	9	8	7	6	42732	4	3	2	1	
	PART NO.	ENG. NO.	NO. OF CIRCUITS	MOLDED VOID IN CKT NO	TERMINAL VOID IN CKT NO	HOUSING USED IN ASSEMBLY								
J	22-45-4036	A-42732-2030	3	NONE	NONE	42732-1030								J
	22-45-4046	A-42732-2040	4	NONE	NONE	42732-1040								
	22-45-4056	A-42732-2050	5	NONE	NONE	42732-1050								
I	22-45-4066	A-42732-2060	6	NONE	NONE	42732-1060								I
	22-45-4086	A-42732-2080	8	NONE	NONE	42732-1080								
	22-45-4106	A-42732-2100	10	NONE	NONE	42732-1100								
H	22-45-4037	A-42732-2032	3	2	NONE	42732-1032								H
	22-45-5064	A-42732-2061	6	3,4	NONE	42732-1061								
	22-45-4067	A-42732-2062	6	2,5	NONE	42732-1062								
G	22-45-5065	A-42732-2063	6	2,5,6	NONE	42732-1063								G
	22-45-5084	A-42732-2081	8	2,4,6,8	NONE	42732-1081								
	22-45-5104	A-42732-2101	10	2,4,7,9	NONE	42732-1101								
F	22-45-5060	A-42732-3006	6	2,4,5	NONE	42732-1064								F
	22-45-5069	A-42732-3007	6	2,4,5,6	NONE	42732-1065								
	22-45-5054	A-42732-2051	5	1,2	NONE	42732-1051								
E	42732-2082	A-42732-2082	8	NONE	2,5,7	42732-1080								E
	42732-2083	A-42732-2083	8	NONE	2,4	42732-1080								
	42732-2102	A-42732-2102	10	NONE	4,7,9	42732-1100								
D														D
C														C
B														B
A														A

SEE SHEET I	R2	SEE SHEET I	
SEE SHEET I	R1	SEE SHEET I	
SEE SHEET I	R	SEE SHEET I	
SEE SHEET I	Q1	SEE SHEET I	
SEE SHEET I	Q	SEE SHEET I	
R4	SEE SHEET I	P4	SEE SHEET I
R3	SEE SHEET I	P3	SEE SHEET I
LTR.	REVISIONS	LTR.	REVISIONS

DIMENSIONS SHOWN METRIC UNLESS OTHERWISE SPECIFIED TOLERANCES UNLESS OTHERWISE SPECIFIED		▽ = 0	▽ = 0	REVISE ONLY ON CAD SYSTEM
INCH	METRIC	TITLE		
F.P. PRECISION	F.P. PRECISION	WIRE TRAP ASSEMBLY		
0.005	0.13	MOLEX INCORPORATED SHEET NO. 2 DATE 4/8/94		
0.01	0.25	SEE CHART SD A-42732		
0.01	0.25	FILE NAME S42732X2		
0.01	0.25	THIS DRAWING CONTAINS INFORMATION THAT IS PROPRIETARY TO MOLEX INC. AND SHOULD NOT BE USED WITHOUT WRITTEN PERMISSION		
BY: S. AMIEC	CHK'D: EDGLEY	DATE:	SCALE:	SIZE: C
APP'D: LENZ	SCALE:	DATE:	SCALE:	SIZE: C