

HDFK 95

Order No.: 0709534



<http://eshop.phoenixcontact.de/phoenix/treeViewClick.do?UID=0709534>

Feed-through terminal block, Type of connection: Screw connection,
Load current : 232 A, Cross-section: 35 mm² - 95 mm², Connection
direction conductor: 0 °, Width: 25 mm, Color: gray

Commercial data

EAN	4017918117047
Pack	10 pcs.
Customs tariff	85369010
Weight/Piece	0.24597 KG
Catalog page information	Page 631 (CC-2009)

Product notes

WEEE/RoHS-compliant since:
11/08/2005



<http://www.download.phoenixcontact.com>
Please note that the data given here has been taken from the online catalog. For comprehensive information and data, please refer to the user documentation. The General Terms and Conditions of Use apply to Internet downloads.

Technical data

General

Number of levels	1
Number of connections	2
Color	gray
Insulating material	PA

Inflammability class acc. to UL 94	V0
------------------------------------	----

Dimensions

Width	25 mm
-------	-------

Technical data

Maximum load current	232 A
Rated surge voltage	8 kV
Pollution degree	3
Surge voltage category	III
Insulating material group	I
Connection in acc. with standard	IEC 60947-7-1
Nominal current I_N	232 A
Nominal voltage U_N	1000 V (With metal panels of 1 mm ... 2.5 mm)
	800 V (With metal panels over 2.5 mm ... 5 mm)
	690 V (With metal panels over 5 mm ... 6 mm)

Connection data

Conductor cross section solid min.	35 mm ²
Conductor cross section solid max.	95 mm ²
Conductor cross section stranded min.	35 mm ²
Conductor cross section stranded max.	95 mm ²
Conductor cross section AWG/kcmil min.	4
Conductor cross section AWG/kcmil max	2/0
Conductor cross section stranded, with ferrule without plastic sleeve min.	25 mm ²
Conductor cross section stranded, with ferrule without plastic sleeve max.	95 mm ²
Conductor cross section stranded, with ferrule with plastic sleeve min.	25 mm ²
Conductor cross section stranded, with ferrule with plastic sleeve max.	95 mm ²
2 conductors with same cross section, solid min.	25 mm ²
2 conductors with same cross section, stranded min.	25 mm ²
2 conductors with same cross section, stranded, ferrules without plastic sleeve, min.	16 mm ²
2 conductors with same cross section, stranded, ferrules without plastic sleeve, max.	35 mm ²

2 conductors with same cross section, solid max.	35 mm ²
2 conductors with same cross section, stranded max.	35 mm ²
Type of connection	Screw connection
Stripping length	27 mm
Internal cylindrical gage	B12
Screw thread	M8
Tightening torque, min	15 Nm
Tightening torque max	20 Nm

Certificates / Approvals



Certification

CSA, GOST, PRS, UL

CSA

Nominal voltage U_N	600 V
Nominal current I_N	200 A
AWG/kcmil	2-4/0

UL

Nominal voltage U_N	600 V
Nominal current I_N	230 A
AWG/kcmil	4-4/0

Accessories

Item	Designation	Description
Marking		
1050525	ZB10:SO/CMS	Zack strip, 10-section, divisible, special printing, marking according to customer requirements
Plug/Adapter		
3009231	UKH 95 EP	Insertion profile

Tools

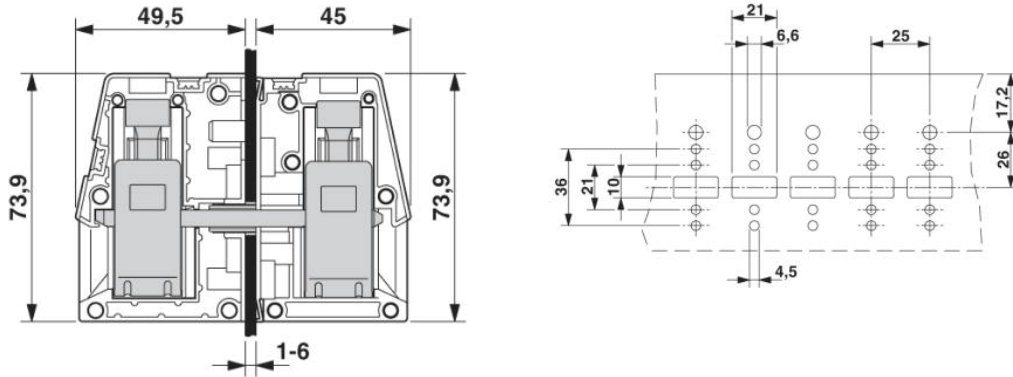
1201934

VDE-ISS 6

Allen wrench, fully insulated, safety tool in accordance with EN 60900, length: 150 mm, handle width: 110 mm, for all terminal blocks with 8 mm Allen screw

Diagrams/Drawings

Dimensioned drawing



Address

PHOENIX CONTACT Inc., USA
586 Fulling Mill Road
Middletown, PA 17057, USA
Phone (800) 888-7388
Fax (717) 944-1625
<http://www.phoenixcon.com>



© 2010 Phoenix Contact
Technical modifications reserved;