

## HDFK 25

Order No.: 0707743

<http://eshop.phoenixcontact.de/phoenix/treeViewClick.do?UID=0707743>

Feed-through terminal block, Type of connection: Screw connection,  
Load current : 125 A, Cross-section: 6 mm<sup>2</sup> - 35 mm<sup>2</sup>, Connection  
direction conductor: 0 °, Width: 15.1 mm, Color: gray

### Commercial data

|                          |                    |
|--------------------------|--------------------|
| EAN                      | 4017918004194      |
| Pack                     | 50 pcs.            |
| Customs tariff           | 85369010           |
| Weight/Piece             | 0.06818 KG         |
| Catalog page information | Page 630 (CC-2009) |

### Product notes

WEEE/RoHS-compliant since:  
12/22/2005



<http://www.download.phoenixcontact.com>  
Please note that the data given here has been taken from the online catalog. For comprehensive information and data, please refer to the user documentation. The General Terms and Conditions of Use apply to Internet downloads.

### Technical data

#### General

|                       |      |
|-----------------------|------|
| Number of levels      | 1    |
| Number of connections | 2    |
| Color                 | gray |
| Insulating material   | PA   |

|                                    |    |
|------------------------------------|----|
| Inflammability class acc. to UL 94 | V0 |
|------------------------------------|----|

**Dimensions**

|       |         |
|-------|---------|
| Width | 15.1 mm |
|-------|---------|

**Technical data**

|                                  |               |
|----------------------------------|---------------|
| Maximum load current             | 125 A         |
| Rated surge voltage              | 6 kV          |
| Pollution degree                 | 3             |
| Surge voltage category           | III           |
| Insulating material group        | I             |
| Connection in acc. with standard | IEC 60947-7-1 |
| Nominal current $I_N$            | 101 A         |
| Nominal voltage $U_N$            | 500 V         |

**Connection data**

|   |                     |
|---|---------------------|
| Conductor cross section solid min.  | 6 mm <sup>2</sup>   |
| Conductor cross section solid max.  | 35 mm <sup>2</sup>  |
| Conductor cross section stranded min.   | 10 mm <sup>2</sup>  |
| Conductor cross section stranded max.   | 25 mm <sup>2</sup>  |
| Conductor cross section AWG/kcmil min.  | 10                  |
| Conductor cross section AWG/kcmil max   | 2                   |
| Conductor cross section stranded, with ferrule without plastic sleeve min.              | 4 mm <sup>2</sup>   |
| Conductor cross section stranded, with ferrule without plastic sleeve max.              | 25 mm <sup>2</sup>  |
| Conductor cross section stranded, with ferrule with plastic sleeve min.                 | 4 mm <sup>2</sup>   |
| Conductor cross section stranded, with ferrule with plastic sleeve max.                 | 25 mm <sup>2</sup>  |
| 2 conductors with same cross section, solid min.  | 2.5 mm <sup>2</sup> |
| 2 conductors with same cross section, stranded min.                                     | 4 mm <sup>2</sup>   |
| 2 conductors with same cross section, stranded, ferrules without plastic sleeve, min.   | 2.5 mm <sup>2</sup> |
| 2 conductors with same cross section, stranded, ferrules without plastic sleeve, max.   | 10 mm <sup>2</sup>  |
| 2 conductors with same cross section, stranded, TWIN ferrules with plastic sleeve, min. | 2.5 mm <sup>2</sup> |

|   |                    |
|---|--------------------|
| 2 conductors with same cross section, stranded, TWIN ferrules with plastic sleeve, max. | 10 mm <sup>2</sup> |
| 2 conductors with same cross section, solid max.  | 10 mm <sup>2</sup> |
| 2 conductors with same cross section, stranded max.                                     | 10 mm <sup>2</sup> |
| Type of connection  | Screw connection   |
| Stripping length  | 19 mm              |
| Internal cylindrical gage   | B8                 |
| Screw thread  | M5                 |
| Tightening torque, min  | 4 Nm               |
| Tightening torque max   | 4.5 Nm             |

#### Certificates / Approvals



Certification

CB, CCA, CSA, GOST, KEMA, PRS, UL

#### CSA

|                                |       |
|--------------------------------|-------|
| Nominal voltage U <sub>N</sub> | 600 V |
| Nominal current I <sub>N</sub> | 100 A |
| AWG/kcmil                      | 8-4   |

#### UL

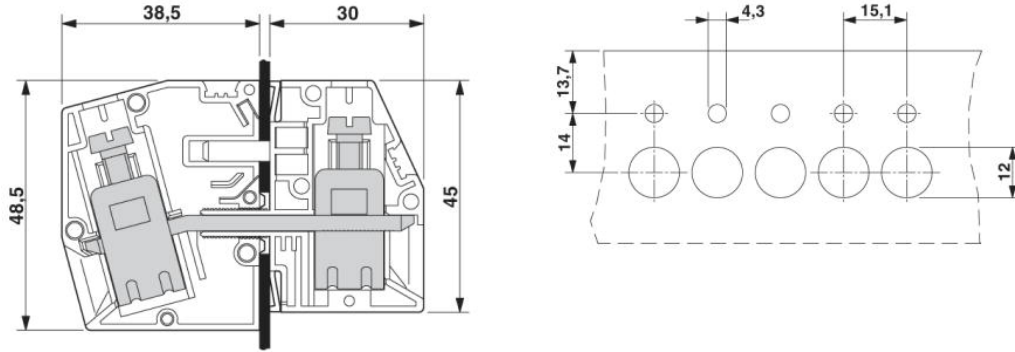
|                                |       |
|--------------------------------|-------|
| Nominal voltage U <sub>N</sub> | 600 V |
| Nominal current I <sub>N</sub> | 115 A |
| AWG/kcmil                      | 8-2   |

#### Accessories

| Item           | Designation | Description   |
|----------------|-------------|---|
| <b>Marking</b> |             |   |
| 1050525        | ZB10:SO/CMS | Zack strip, 10-section, divisible, special printing, marking according to customer requirements   |
| <b>Tools</b>   |             |   |
| 1205079        | SZS 1,0X6,5 | Screwdriver, bladed, matches all screw terminal blocks with a connection cross section of over 16 mm <sup>2</sup> , blade: 1.0 x 6.5 mm |

## Diagrams/Drawings

### Dimensioned drawing



**Address**

PHOENIX CONTACT Inc., USA  
586 Fulling Mill Road  
Middletown, PA 17057, USA  
Phone (800) 888-7388  
Fax (717) 944-1625  
<http://www.phoenixcon.com>



© 2010 Phoenix Contact  
Technical modifications reserved;