

HDFKV 10

Order No.: 0709013

<http://eshop.phoenixcontact.de/phoenix/treeViewClick.do?UID=0709013>

Feed-through terminal block, Type of connection: Screw connection,
Load current : 76 A, Cross-section: 0.5 mm² - 16 mm², Connection
direction conductor: 90 °, Width: 10.1 mm, Color: gray

Commercial data

EAN	4017918004873
Pack	50 pcs.
Customs tariff	85369010
Weight/Piece	0.0217 KG
Catalog page information	Page 629 (CC-2009)

Product notes

WEEE/RoHS-compliant since:
09/01/2005



<http://www.download.phoenixcontact.com>
Please note that the data given here has been taken from the online catalog. For comprehensive information and data, please refer to the user documentation. The General Terms and Conditions of Use apply to Internet downloads.

Technical data

General

Number of levels	1
Number of connections	2
Color	gray
Insulating material	PA

Inflammability class acc. to UL 94	V0
------------------------------------	----

Dimensions

Width	10.1 mm
-------	---------

Technical data

Maximum load current	76 A
Rated surge voltage	6 kV
Pollution degree	3
Surge voltage category	III
Insulating material group	I
Connection in acc. with standard	IEC 60947-7-1
Nominal current I_N	57 A
Nominal voltage U_N	400 V (With metal panels of 1 mm ... 2.5 mm)
	250 V (With metal panels over 2.5 mm ... 5 mm)
	400 V (With plastic panels of 1 mm ... 4 mm)

Connection data

Conductor cross section solid min.	0.5 mm ²
Conductor cross section solid max.	16 mm ²
Conductor cross section stranded min.	0.5 mm ²
Conductor cross section stranded max.	10 mm ²
Conductor cross section AWG/kcmil min.	20
Conductor cross section AWG/kcmil max	6
Conductor cross section stranded, with ferrule without plastic sleeve min.	0.5 mm ²
Conductor cross section stranded, with ferrule without plastic sleeve max.	10 mm ²
Conductor cross section stranded, with ferrule with plastic sleeve min.	0.5 mm ²
Conductor cross section stranded, with ferrule with plastic sleeve max.	10 mm ²
2 conductors with same cross section, solid min.	0.5 mm ²
2 conductors with same cross section, stranded min.	0.5 mm ²
2 conductors with same cross section, stranded, ferrules without plastic sleeve, min.	0.5 mm ²
2 conductors with same cross section, stranded, ferrules without plastic sleeve, max.	2.5 mm ²

2 conductors with same cross section, stranded, TWIN ferrules with plastic sleeve, min.	0.5 mm ²
2 conductors with same cross section, stranded, TWIN ferrules with plastic sleeve, max.	6 mm ²
Cross-section with insertion bridge, solid max.	10 mm ²
2 conductors with same cross section, solid max.	4 mm ²
Cross-section with insertion bridge, stranded max.	10 mm ²
2 conductors with same cross section, stranded max.	4 mm ²
Type of connection	Screw connection
Stripping length	11 mm
Internal cylindrical gage	B6
Screw thread	M4
Tightening torque, min	1.5 Nm
Tightening torque max	1.8 Nm

Certificates / Approvals



Certification

CB, CSA, CUL, GOST, KEMA, UL

CSA

Nominal voltage U_N	300 V
Nominal current I_N	65 A
AWG/kcmil	22-6

CUL

Nominal voltage U_N	300 V
Nominal current I_N	10 A
AWG/kcmil	24-6

UL

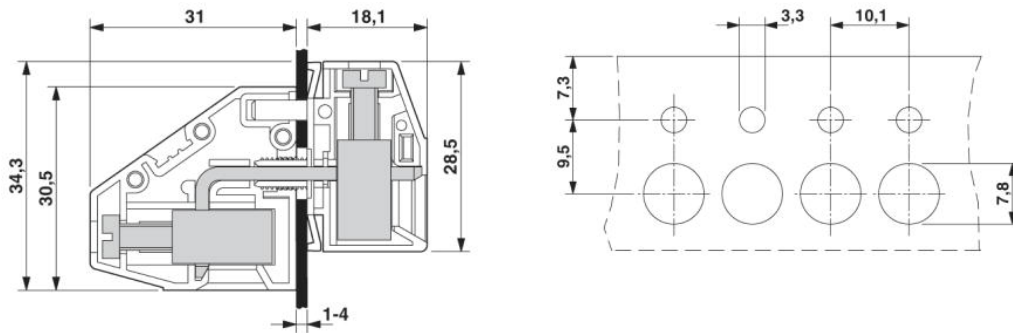
Nominal voltage U_N	300 V
Nominal current I_N	10 A
AWG/kcmil	24-6

Accessories

Item	Designation	Description
Bridges		
0203153	EB 2-10	Cross connector/bridge, Number of positions: 2, Color: gray
0203328	EB 3-10	Cross connector/bridge, Number of positions: 3, Color: gray
0203137	EB 10-10	Cross connector/bridge, Number of positions: 10, Color: gray
Marking		
1052002	ZB 8:UNBEDRUCKT	Zack strip, 10-section, unprinted, for individual labeling with M-PEN, ZB-T or CMS system, sufficient for 100 terminal blocks, for a terminal width of 8.2 mm, color: white
Tools		
1205066	SZS 1,0X4,0	Screwdriver, bladed, matches all screw terminal blocks with 10 mm ² and 16 mm ² connection cross section, blade: 1.0 x 4.0 mm

Diagrams/Drawings

Dimensioned drawing



Address

PHOENIX CONTACT Inc., USA
586 Fulling Mill Road
Middletown, PA 17057, USA
Phone (800) 888-7388
Fax (717) 944-1625
<http://www.phoenixcon.com>



© 2010 Phoenix Contact
Technical modifications reserved;