

HDFK 4

Order No.: 0707086



<http://eshop.phoenixcontact.de/phoenix/treeViewClick.do?UID=0707086>

Feed-through terminal block, Type of connection: Screw connection, Screw connection, Load current : 41 A, Cross-section: 0.2 mm² - 6 mm², Connection direction conductor: 0 °, Width: 8.1 mm, Color: gray

Commercial data

EAN	4017918003869
Pack	50 pcs.
Customs tariff	85369010
Weight/Piece	0.00889 KG
Catalog page information	Page 626 (CC-2009)

Product notes

WEEE/RoHS-compliant since:
01/01/2003



<http://www.download.phoenixcontact.com>
Please note that the data given here has been taken from the online catalog. For comprehensive information and data, please refer to the user documentation. The General Terms and Conditions of Use apply to Internet downloads.

Technical data

General

Number of levels	1
Number of connections	2
Color	gray
Insulating material	PA

Inflammability class acc. to UL 94	V0
------------------------------------	----

Dimensions

Width	8.1 mm
-------	--------

Technical data

Rated surge voltage	6 kV
Pollution degree	3
Surge voltage category	III
Insulating material group	I
Connection in acc. with standard	IEC 60947-7-1
Nominal current I_N	32 A
Nominal voltage U_N	400 V (With metal panels of 1 mm ... 2.5 mm)
	250 V (With metal panels over 2.5 mm ... 4 mm)
	400 V (With plastic panels of 1 mm ... 4 mm)

Connection data

Conductor cross section solid min.	0.2 mm ²
Conductor cross section solid max.	6 mm ²
Conductor cross section stranded min.	0.2 mm ²
Conductor cross section stranded max.	4 mm ²
Conductor cross section AWG/kcmil min.	24
Conductor cross section AWG/kcmil max	10
Conductor cross section stranded, with ferrule without plastic sleeve min.	0.25 mm ²
Conductor cross section stranded, with ferrule without plastic sleeve max.	4 mm ²
Conductor cross section stranded, with ferrule with plastic sleeve min.	0.25 mm ²
Conductor cross section stranded, with ferrule with plastic sleeve max.	4 mm ²
2 conductors with same cross section, solid min.	0.2 mm ²
2 conductors with same cross section, stranded min.	0.2 mm ²
2 conductors with same cross section, stranded, ferrules without plastic sleeve, min.	0.25 mm ²
2 conductors with same cross section, stranded, ferrules without plastic sleeve, max.	1.5 mm ²
2 conductors with same cross section, stranded, TWIN ferrules with plastic sleeve, min.	0.5 mm ²

2 conductors with same cross section, stranded, TWIN ferrules with plastic sleeve, max.	2.5 mm ²
Cross-section with insertion bridge, solid max.	4 mm ²
2 conductors with same cross section, solid max.	1.5 mm ²
Cross-section with insertion bridge, stranded max.	2.5 mm ²
2 conductors with same cross section, stranded max.	1.5 mm ²
Type of connection	Screw connection
Stripping length	9 mm
Internal cylindrical gage	A4
Screw thread	M3
Tightening torque, min	0.6 Nm
Tightening torque max	0.8 Nm

Certificates / Approvals



Certification

CB, CSA, CUL, GOST, KEMA, PRS, UL

CSA

Nominal voltage U _N	300 V
Nominal current I _N	30 A
AWG/kcmil	22-10

CUL

Nominal voltage U _N	300 V
Nominal current I _N	10 A
AWG/kcmil	30-10

UL

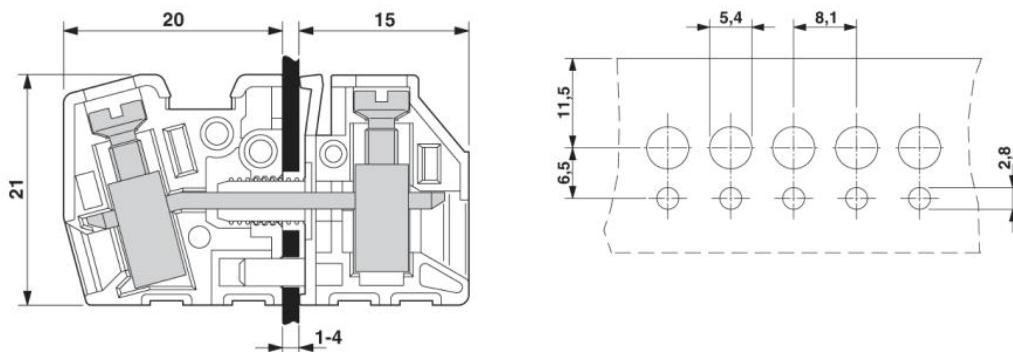
Nominal voltage U _N	300 V
Nominal current I _N	10 A
AWG/kcmil	30-10

Accessories

Item	Designation	Description
Bridges		
3118151	EBS 2- 8	Cross connector/bridge, Number of positions: 2, Color: gray
3118148	EBS 3- 8	Cross connector/bridge, Number of positions: 3, Color: gray
3118135	EBS 10- 8	Cross connector/bridge, Number of positions: 10, Color: gray
General		
0828295	TMT (EX9,5)R	Terminal marking
Marking		
0816498	TMT 6 R	Markers for terminal blocks with 6 mm pitch, perforated, unprinted, for all terminal blocks with ZB and ZBF keyway, can be labelled using a thermo transfer printer, 1 roll = 1,000 strips, 16 labels/ strips, strip height: 6.4 mm
0818085	UC-TM 6	UniCard sheets, for labeling terminal blocks using Zack marker strip groove,80-section, labeling with BLUEMARK X1 and CMS-P1-PLOTTER, color: White
1051003	ZB 6:UNBEDRUCKT	Zack strip, unprinted, strips with 10 labels for individual labeling with M-PEN or CMS system, for terminal block width: 6.2 mm, color: white
0808710	ZBF 6:UNBEDRUCKT	Zack strip, flat, unprinted: 10-section, for individual labeling with M-PEN or ZBF-T, sufficient for 100 terminal blocks, color: white
Tools		
1205053	SZS 0,6X3,5	Screwdriver, bladed, matches all screw terminal blocks up to 4.0 mm ² connection cross section, blade: 0.6 x 3.5 mm, without VDE approval

Diagrams/Drawings

Dimensioned drawing



Address

PHOENIX CONTACT Inc., USA
586 Fulling Mill Road
Middletown, PA 17057, USA
Phone (800) 888-7388
Fax (717) 944-1625
<http://www.phoenixcon.com>



© 2010 Phoenix Contact
Technical modifications reserved;