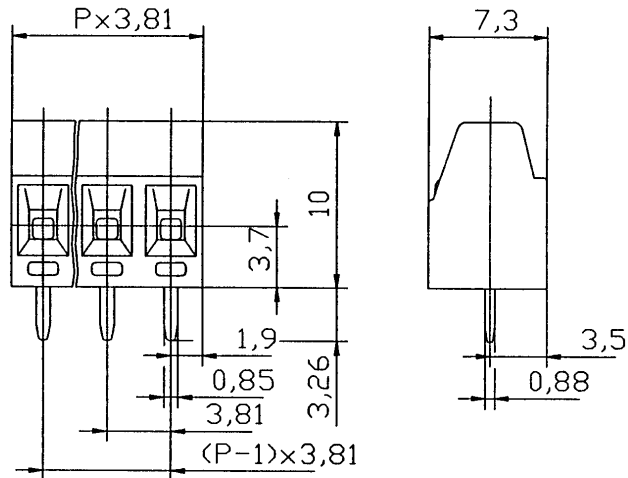


Ratings:
 Current 10A
 Voltage 300 V
 Wire Size 30-16AWG
 Test Voltage 1.25 kV
 Rated Torque / Screw Size 0.4Nm / M2

Rated Cross Section:
 Single Wire (solid) 1.5mm²
 Stranded Wire (flexible) 1.0mm²
 Stranded Wire with Ferrules 0.5mm²

Dimensions:
 Spacing 3.81mm
 PCB Hole Diameter 1.1mm
 Stripped Length 5.0mm

Materials:
 Insulating Material PA
 Flammability UL94V-0
 Temperature -30°C/+105°C
 Block CuZn
 Wire Guard Cu
 Color Green



Part Number
EDZ602/[*][*]
 * - NUMBER OF POSITIONS

Units
 mm

Drawing

Reviewed

Approved

Date
 1/16/99
 Sheet 1 of 1