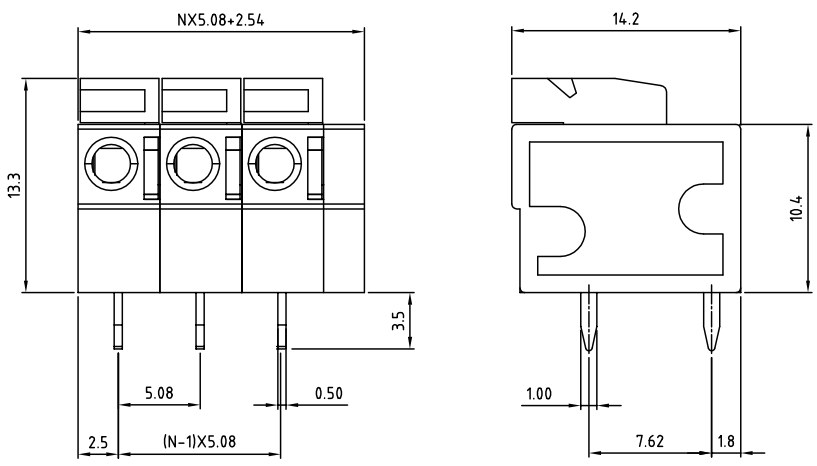


SIGN	DATE	DESCRIPTION	APPROVER
		<i>THIS IS CAD DRAWING, DO NOT REVISE MANUALLY!!!</i>	



N=Number of contacts

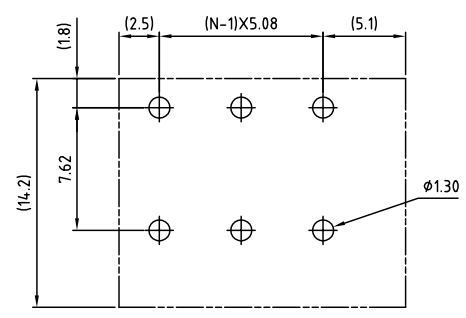
- Material**
- Terminal body (Contact pin): Brass
  - Wire guard: Stainless steel
  - Surface of solder tail: Tin plated
  - Insulator (housing): Thermoplastic (UL94V-0)
- Electrical** cULus/VDE
- Voltage rating: 300VAC/250VAC
  - Current rating: 10A/10A
  - Wire range: 0.75-1.5mm<sup>2</sup>  
Solid wire(AWG): 14-24  
Stranded wire(AWG): 14-24
  - Wire strip length: 6-7mm
  - Withstanding Voltage: 1.6KV/2KV
  - Operating temperature: -30°C to +105°C
  - Soldering temperature: 250°C±10°C/5 Sec
  - Safety Approval:
- RoHS Compliant

PART NUMBER:

**OSTHAXX0150**

↓	↓
No. of Poles	COLOR
02 2 Poles	0: Black
03 3 Poles	5: Green (Standard)
... ..	6: Blue
24 24 Poles	8: Grey

**P.C.B. LAYOUT**



THESE DRAWINGS AND SPECIFICATIONS ARE THE PROPERTY OF ON-SHORE TECHNOLOGY, INC. AND SHALL NOT BE REPRODUCED, COPIED OR USED IN ANY MANNER WITHOUT THE PRIOR WRITTEN CONSENT OF ON-SHORE TECHNOLOGY, INC.

TITLE		OSTHA-5.08mm series horizontal (180° wire inlet)							
PART NO.		OSTHAXX0150		DWG NO.		OSTHAXX0150.DWG			
APPROVED		CHECKED	DESIGNED	DRAWN	CUST NO.		Tolerance		
Shi Jun 2006.11.01		Marvin 2006.11.01	Steady 2006.10.11	Steady 2006.10.11			UNIT: mm	X.	±0.50
							SCALE: NONE	X.XX	±0.30
							REV: D	X.XX	±0.10
								X*	±1*
					SHEET: 01/01				