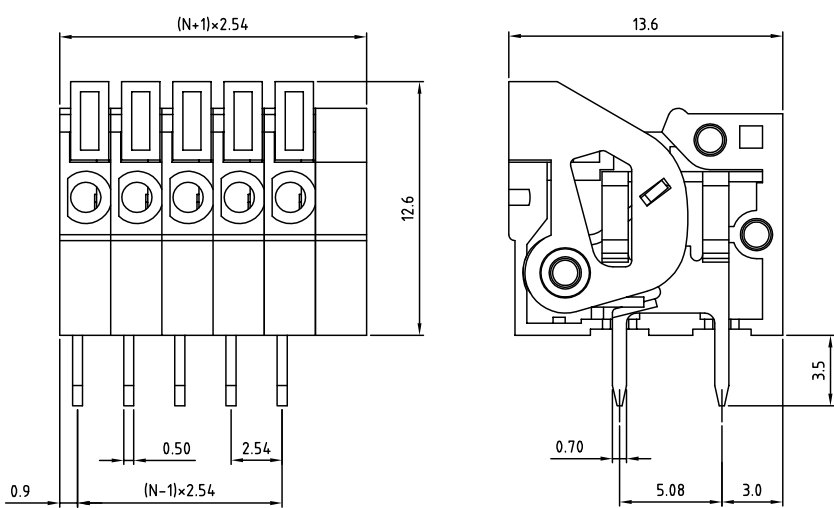


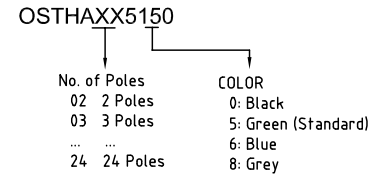
SIGN	DATE	DESCRIPTION	APPROVER
		<i>THIS IS CAD DRAWING, DO NOT REVISE MANUALLY!!!</i>	



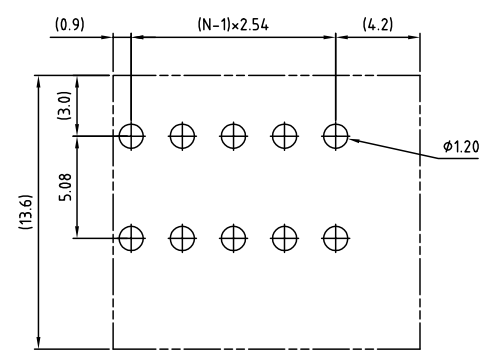
- Material**
- Terminal body (Contact pin): Brass
  - Wire guard: Stainless steel
  - Surface of solder tail: Tin plated
  - Insulator (housing): Thermoplastic (UL94V-0)
- Electrical**
- Voltage rating: 150VAC
  - Current rating: 2A
  - Wire range:
    - Solid wire(AWG): 20-26
    - Stranded wire(AWG): 20-26
  - Wire strip length: 9-10mm
  - Withstanding Voltage: 1.3KV
  - Operating temperature: -30°C to +105°C
  - Soldering temperature: 250°C±10°C/5 Sec

RoHS Compliant

PART NUMBER:



N=Number of contacts



P.C.B. LAYOUT

THESE DRAWINGS AND SPECIFICATIONS ARE THE PROPERTY OF ON-SHORE TECHNOLOGY, INC. AND SHALL NOT BE REPRODUCED, COPIED OR USED IN ANY MANNER WITHOUT THE PRIOR WRITTEN CONSENT OF ON-SHORE TECHNOLOGY, INC.



TITLE		OSTHA-2.54mm series horizontal (180° wire inlet)				
PART NO.		OSTHAXX5150		DWG NO.		OSTHAXX5150.DWG
APPROVED	CHECKED	DESIGNED	DRAWN	CUST NO.		Tolerance
Shi Jun 2006.11.01	Marvin 2006.11.01	Marvin 2005.09.08	Marvin 2005.09.08			X. ±0.50
				UNIT: mm		X.X ±0.30
				SCALE: NONE		X.XX ±0.10
				SHEET: 01/01		X* ±1*
				REV: C		