

4

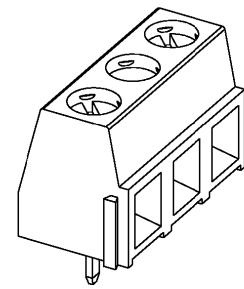
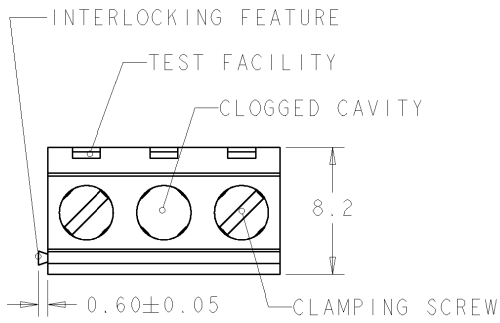
3

2

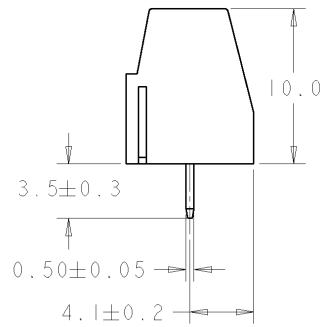
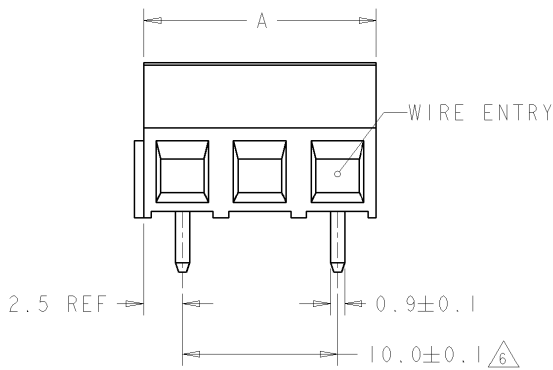
1

THIS DRAWING IS UNPUBLISHED. RELEASED FOR PUBLICATION
 BY TYCO ELECTRONICS CORPORATION. ALL RIGHTS RESERVED.

LOC	DIST	REVISIONS				
P	LTR	DESCRIPTION	DATE	DWN	APVD	
C		REVISED PER 063B-0106-01	24AUG2001	EZ	DB	
D		REVISED PER 063B-0119-01	24AUG2001	EZ	DB	

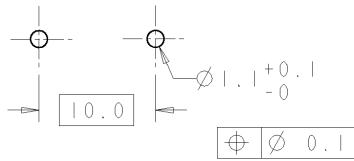


282838-2 AS SHOWN



MARKING	DIM. A	N° OF POS.	PART NUMBER
/	125	13	1-282838-4
/	115	12	1-282838-3
/	105	11	1-282838-2
/	95	10	1-282838-1
/	85	9	1-282838-0
/	75	8	282838-9
/	65	7	282838-8
SEE PAGE 2	25	3	282838-7
/	55	6	282838-6
/	45	5	282838-5
/	35	4	282838-4
/	25	3	282838-3
/	15	2	282838-2

RECOMMENDED PC BOARD LAYOUT



<small>THIS DRAWING IS A CONTROLLED DOCUMENT FOR THE ELECTRONICS CORPORATION IT IS SUBJECT TO CHANGE AND THE CONTROLLING ENGINEERING ORGANIZATION SHOULD BE CONTACTED FOR THE LATEST REVISION.</small>		DWN 24AUG2001 E. ZANOLINI CHK D. BIEVENDOR D. BIEVENDOR APVD D. BIEVENDOR	TycO Electronics Harrisburg, PA 17105-3608
DIMENSIONS: mm	TOLERANCES UNLESS OTHERWISE SPECIFIED: 0 PLC ±.3 1 PLC ±.3 2 PLC ±.25 3 PLC ±.3 4 PLC ±.3 ANGLES ±.2 FINISH -	PRODUCT SPEC 108-20166 APPLICATION SPEC 114-20079 WEIGHT -	NAME TERMINAL BLOCK PCB MOUNT SIDE ENTRY WIRE 10mm PITCH
MATERIAL -	FINISH -	SIZE A3 CAGE CODE 00779 DRAWING NO. C-282838	RESTRICTED TO -
CUSTOMER DRAWING			SCALE 4:1 SHEET 1 OF 2 REV D

AMP 1470-19 REV 31MAR2000

Pro/ENGINEER DRAWING

4

3

2

1

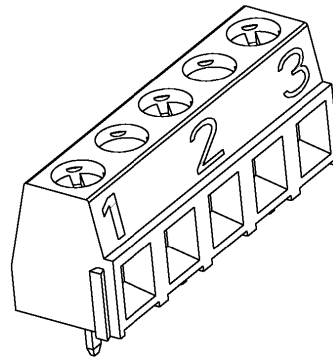
THIS DRAWING IS UNPUBLISHED. RELEASED FOR PUBLICATION 20
 © COPYRIGHT 20 BY TYCO ELECTRONICS CORPORATION. ALL RIGHTS RESERVED.

LOC	DIST	REVISIONS				
P	LTR	DESCRIPTION	DATE	DWN	APVD	
-	-	SEE SHEET 1	-	-	-	

- 1 MATERIALS AND FINISH
 HOUSING: PA 6-6, UL 94-V0, COLOR GREEN.
 CLAMP: BRASS, NICKEL PLATED.
 TERMINAL: BRASS, TIN PLATED.
 CLAMPING SCREW: M3, BRASS, NICKEL PLATED.
- 2 SUITABLE FOR 1,6-2,4mm PC BOARD THICKNESS.
- 3 WIRE SIZE RANGE
 SOLID WIRE: 0,03-1,5mm² (15AWG).
 STRANDED WIRE: 0,03-1mm² (17AWG).
- 4 RECOGNIZED UNDER THE COMPONENT PROGRAM OF
 UNDERWRITERS LABORATORIES INC. FILE N° E60677.
- 5 IMO CERTIFICATE WITH SURVEILLANCE IN CONFORMITY
 WITH IEC 998-1/998-2-1.

6 NOT CUMULATIVE TOLERANCE.

7 INK MARKING COLOR WHITE, UNLESS OTHERWISE SPECIFIED.
 NUMERICAL SEQUENCE: FROM LEFT TO RIGHT, UNLESS
 OTHERWISE SPECIFIED.



282838-7 AS SHOWN

<small>THIS DRAWING IS A CONTROLLED DOCUMENT FOR TYCO ELECTRONICS CORPORATION IT IS SUBJECT TO CHANGE AND THE CONTROLLING ENGINEERING ORGANIZATION SHOULD BE CONTACTED FOR THE LATEST REVISION.</small>		DWN 24AUG2001 E. ZANOLINI CHK 24AUG2001 D. BIEVENDOUR APVD 24AUG2001 D. BIEVENDOUR		BUCHANAN Tyco Electronics Harrisburg, PA 17105-3608	
DIMENSIONS: mm		TOLERANCES UNLESS OTHERWISE SPECIFIED: 0 PLC ± 1 PLC ± 2 PLC ± 3 PLC ± 4 PLC ± ANGLES ±		NAME TERMINAL BLOCK PCB MOUNT SIDE ENTRY WIRE 10mm PITCH	
MATERIAL - FINISH -		PRODUCT SPEC - APPLICATION SPEC - WEIGHT -		SIZE A3 CAGE CODE 00779 DRAWING NO G-282838 RESTRICTED TO -	
CUSTOMER DRAWING				SCALE 4:1 SHEET 2 OF 2 REV D	