

2-12 poles, Spacing 7.5 mm
insert required no. of poles X
How to order see page 5



Ratings:

Rated Voltage	300V	750 V
Rated Current	16 A	24 A (T60)
Wire Size	AWG 22-12	2.5 mm ²
Test Voltage		3.0 kV
Rated Torque/ScrewSize		0.5 Nm/M3

Max. Rated Cross Section

Single Wire (solid)	2.5 mm ²
Stranded Wire (flexible)	1.5 mm ²
Stranded wire with Ferrules	1.5 mm ²

Dimensions

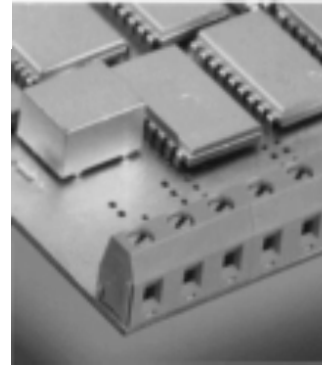
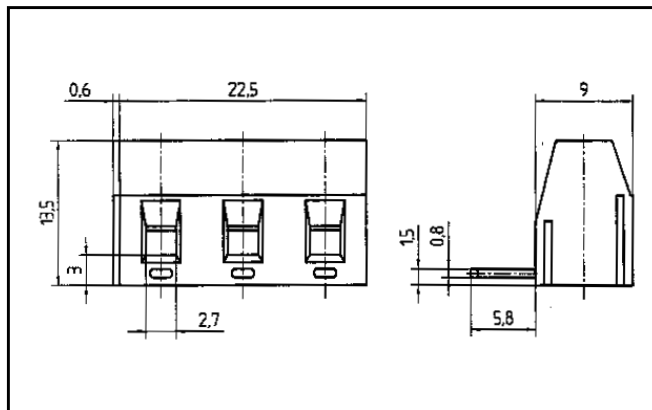
Spacing	7.5 mm
PCB Hole Diameter	1.3 mm
Stripped Length	6.0 mm

Materials

Insulating Material	PA
Flammability Class	UL94 V-0
Temperature Range	-30°C/+105°C
Terminal Block	CuZn
Wire Guard	Cu

Color

Green



Ratings

Rated Voltage	750 V
Rated Current	24 A (T60)
Wire Size	2.5 mm ²
Test Voltage	3.0 kV
Rated Torque/ScrewSize	0.5 Nm/M3

Max. Rated Cross Section

Single Wire (solid)	2.5 mm ²
Stranded Wire (flexible)	1.5 mm ²
Stranded wire with Ferrules	1.5 mm ²

Dimensions

Spacing	7.5 mm
PCB Hole Diameter	1.3 mm
Stripped Length	6.0 mm

Materials

Insulating Material	PA
Flammability Class	UL94 V-0
Temperature Range	-30°C/+105°C
Terminal Block	CuZn
Wire Guard	Cu

Color

Green

