




Spacing 7.0 mm
insert required no. of poles **
How to order see page 6

Ratings:

* Approvals pending

	 *	 *	 *
	UL1059	CSA 22.2 No. 158	EN 60998
Rated Voltage	250 VB	300 VB	450 V
Rated Current	6 A	6 A	13.5 A (T60)
Wire Size	AWG 28-16	AWG 28-16	1.0 mm²
Test Voltage			3.0 kV
Rated Torque/Screw Size			0.4 Nm/M2

Rated Cross Section

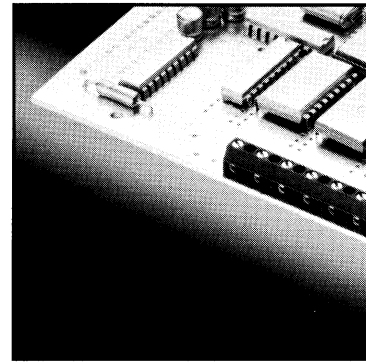
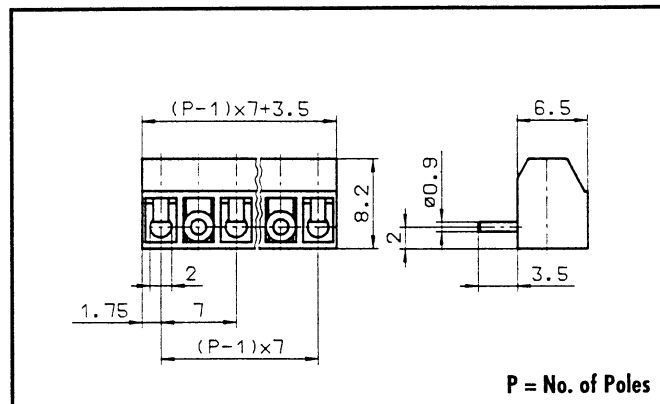
Single Wire (solid)	1.5 mm ²
Stranded Wire (flexible)	1.0 mm ²
Stranded wire with Ferrules	0.75 mm ²

Dimensions


Spacing	7.0 mm
PCB Hole Diameter	1.2 mm
Stripped Length	5.5 mm

Materials

Insulating Material	PA
Flammability Class	UL94 V-0
Temperature Range	-30°C/+105°C
Terminal Block	CuZn
Wire Guard	CuSn
Color	Grey



Ratings:

	 *
	UL1059
Rated Voltage	250 VB
Rated Current	6 A
Wire Size	AWG 28-16
Test Voltage	
Rated Torque/Screw Size	

Rated Cross Section

Single Wire (solid)	1.5 mm ²
Stranded Wire (flexible)	1.0 mm ²
Stranded wire with Ferrules	0.75 mm ²

Dimensions

Spacing	7.0 mm
PCB Hole Diameter	1.2 mm
Stripped Length	5.5 mm

Materials

Insulating Material	PA
Flammability Class	UL94 V-0
Temperature Range	-30°C/+105°C
Terminal Block	CuZn
Wire Guard	CuSn
Color	Grey

