

Spacing 10.0 mm  
insert required no. of poles \*\*  
How to order see page 6

\*Approvals pending



CSA 22.2 No. 158

150 VB

7 A

AWG 22-14



EN 60998

760 V

17.5 A (T60)

1.5 mm<sup>2</sup>

3.5 kV

0.4 Nm/M2.6

1.5 mm<sup>2</sup>

1.0 mm<sup>2</sup>

0.75 mm<sup>2</sup>

10.0 mm

1.2 mm

6.0 mm

PA

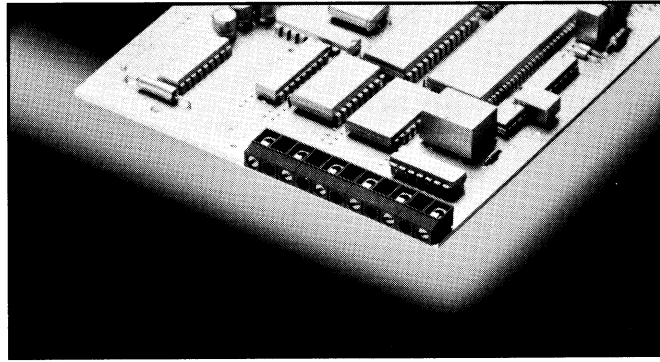
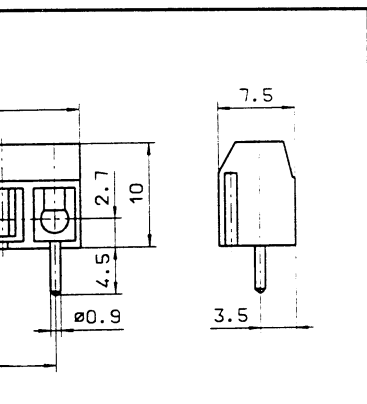
UL94 V-0

-30°C/+105°C

CuZn

CuNi

Blue



Spacing 10.0 mm  
insert required no. of poles \*\*  
How to order see page 6

\*Approvals pending

### Ratings:



UL1059

Rated Voltage

250 VB

Rated Current

15 A

Wire Size

AWG 22-14

Test Voltage

Rated Torque/Screw Size



CSA 22.2 No. 158

150 VB

7 A

AWG 22-14



EN 60998

760 V

17.5 A (T60)

1.5 mm<sup>2</sup>

3.5 kV

0.4 Nm/M2.6

### Rated Cross Section

Single Wire (solid)

Stranded Wire (flexible)

Stranded wire with Ferrules

1.5 mm<sup>2</sup>

1.0 mm<sup>2</sup>

0.75 mm<sup>2</sup>

### Dimensions

Spacing

PCB Hole Diameter

Stripped Length

10.0 mm

1.3 mm

5.0 mm

### Materials

Insulating Material

Flammability Class

Temperature Range

Terminal Block

Wire Guard

Color

PA

UL94 V-0

-30°C/+105°C

CuZn

CuNi

Blue

