

2-12 poles, Spacing 10.0 mm
insert required no. of poles **X**
How to order see page 5



Ratings:

Rated Voltage	300 V	750 V
Rated Current	15 A	24 A (T60)
Wire Size	AWG 22-14	2.5 mm ²
Test Voltage		3.5 kV
Rated Torque/ScrewSize		0.5 Nm/M3

Max. Rated Cross Section

Single Wire (solid)	2.5 mm ²
Stranded Wire (flexible)	1.5 mm ²
Stranded wire with Ferrules	1.5 mm ²

Dimensions

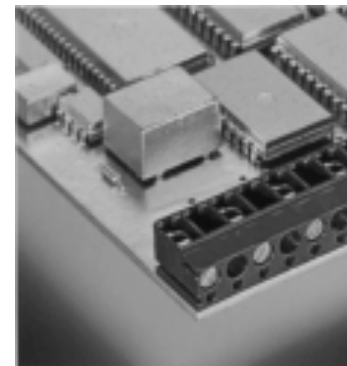
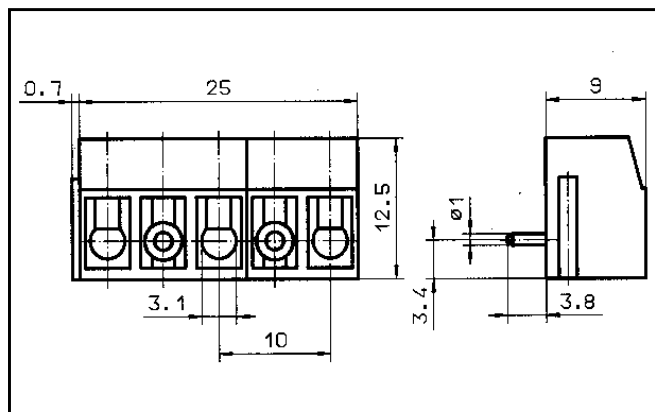
Spacing	10.0 mm
PCB Hole Diameter	1.3 mm
Stripped Length	6.0 mm

Materials

Insulating Material	PA
Flammability Class	UL94 V-0
Temperature Range	-30°C/+105°C
Terminal Block	CuZn
Wire Guard	Stainless Steel

Color

Blue



Ratings:

Rated Voltage	
Rated Current	
Wire Size	
Test Voltage	
Rated Torque/ScrewSize	

Max. Rated Cross Section

Single Wire (solid)	
Stranded Wire (flexible)	
Stranded wire with Ferrules	

Dimensions

Spacing	
PCB Hole Diameter	
Stripped Length	

Materials

Insulating Material	
Flammability Class	
Temperature Range	
Terminal Block	
Wire Guard	

Color

Grey

