

4

3

2

1

THIS DRAWING IS UNPUBLISHED.

RELEASED FOR PUBLICATION

ALL RIGHTS RESERVED.

COPYRIGHT - By -

LOC
FT 0DIST
0

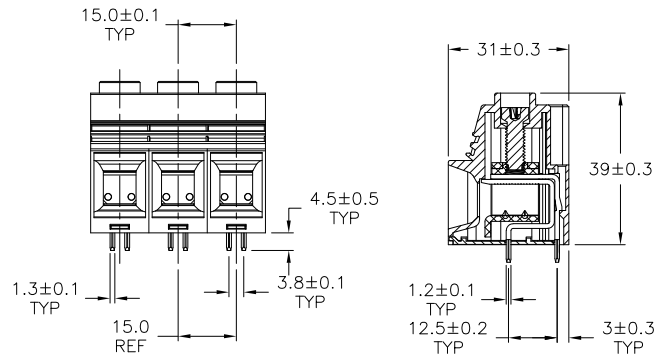
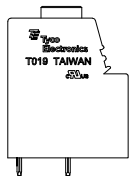
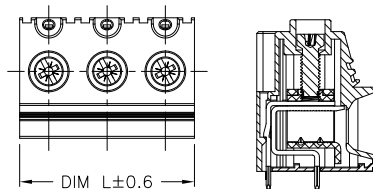
REVISIONS

P	LTR	DESCRIPTION	DATE	DWN	APVD
A5		REVISED PER ECO-11-004820	11MAR11	RK	HMR

MATERIALS:
 HOUSING: PA66, UL94V-0, COLOR: GREEN.
 TERMINAL: BRASS, TIN PLATED.
 CAGE CLAMP: STEEL, TRI-CHROMATE.
 SCREW: STEEL, TRI-CHROMATE.

ELECTRICAL:
 CURRENT RATING: 125A
 VOLTAGE RATING: 600V.
 INSULATION WITHSTANDS: AC2000V MIN
 INSULATION RESISTANCE: 2000Mohm/DC500V
 WIRE RANGE: 1-20 AWG

MECHANICAL:
 SCREW TORQUE: 30 IN-LB
 OPERATING TEMP.: -40° TO +105°C
 WIRE STRIP LENGTH: 18mm



120.00	8	1986242-8
105.00	7	1986242-7
90.00	6	1986242-6
75.00	5	1986242-5
60.00	4	1986242-4
45.00	3	1986242-3
30.00	2	1986242-2
DIM L	NO OF POS	PART NUMBER

THIS DRAWING IS A CONTROLLED DOCUMENT.

DWN
S SCHLEGEL 28AUG2007CHK
C RICHARD 8/28/07APVD
C RICHARD 8/28/07

TE Connectivity

DIMENSIONS:

mm

TOLERANCES UNLESS OTHERWISE SPECIFIED:

0 PLC	±	-
1 PLC	±	-
2 PLC	±	-
3 PLC	±	-
4 PLC	±	-
ANGLES	±	1°



MATERIAL

FINISH

PRODUCT SPEC

APPLICATION SPEC

WEIGHT

RESTRICTED TO

CUSTOMER DRAWING

NAME

POWER CONNECTOR
15.0mm PITCH

SIZE

CAGE CODE

DRAWING NO

RESTRICTED TO

A3

00779

C-1986242

-

SCALE

1:1

SHEET

1 OF 1

REV

A5