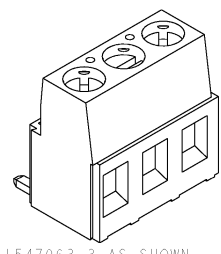
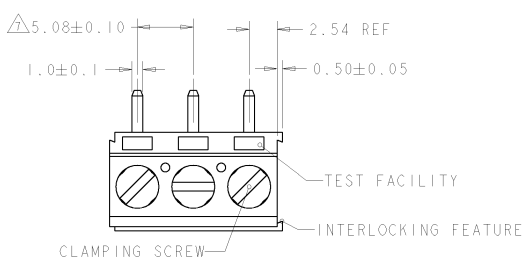


THIS DRAWING IS UNPUBLISHED. RELEASED FOR PUBLICATION BY TICO ELECTRONICS CORPORATION. ALL RIGHTS RESERVED.

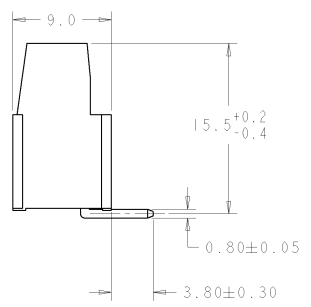
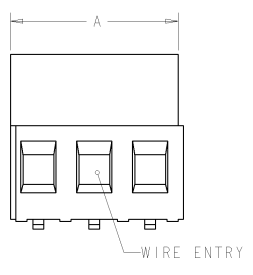
REV	DATE	BY	CHKD	DESCRIPTION
A	16AUG2001	EZ	DB	RELEASED
B	30JUN2004	SW	CR	REVISED EC 0638-0478-04



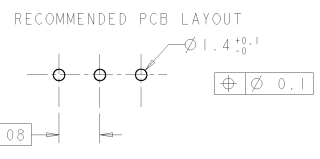
1547063-3 AS SHOWN



- 1 MATERIALS AND FINISH
HOUSING: PA 6-6, UL 94-V0, COLOR BLACK.
CLAMP: BRASS, NICKEL PLATED.
TERMINAL: BRASS, TIN PLATED.
CLAMPING SCREW: M3, BRASS, NICKEL PLATED.
 - 2 SUITABLE FOR 1.6-2.4mm PC BOARD THICKNESS.
 - 3 END-TO-END STACKABLE W/INTERLOCK WITHOUT LOSS OF CENTERLINE SPACING.
 - 4 WIRE SIZE RANGE
SOLID WIRE: 0.03-2.5mm² (13AWG).
STRANDED WIRE: 0.03-1.5mm² (15AWG).
 - 5 RECOGNIZED UNDER THE COMPONENT PROGRAM OF UNDERWRITERS LABORATORIES INC. FILE N° E60677.
 - 6 IQO CERTIFICATE WITH SURVEILLANCE IN CONFORMITY WITH IEC 998-1/998-2-1.
- △ NOT CUMULATIVE TOLERANCE.



DIM A	No OF POS.	PART NUMBER
127.00	25	2-1546073-5
121.92	24	2-1546073-4
116.84	23	2-1546073-3
111.76	22	2-1546073-2
106.68	21	2-1546073-1
101.60	20	2-1546073-0
96.52	19	1-1546073-9
91.44	18	1-1546073-8
86.36	17	1-1546073-7
81.28	16	1-1546073-6
76.20	15	1-1546073-5
71.12	14	1-1546073-4
66.04	13	1-1546073-3
60.96	12	1-1546073-2
55.88	11	1-1546073-1
50.80	10	1-1546073-0
45.72	9	1546073-9
40.64	8	1546073-8
35.56	7	1546073-7
30.48	6	1546073-6
25.40	5	1546073-5
20.32	4	1546073-4
15.24	3	1546073-3
10.16	2	1546073-2
DIM A	No OF POS.	PART NUMBER



DIMENSIONS: mm DIMENSIONS: INCHES (IN PARALLEL WITH THE CENTERLINE)		DWG: 1547063-3 CDR: BIEVENOUR APPR: BIEVENOUR DATE: 16AUG2001	Tico Electronics Harrisburg, PA 17105-3608
0 PLC 1 PLC 2 PLC 3 PLC 4 PLC ANGLES	0° 45° 90° 135° 180° 270°	PRODUCT SPEC: 108-20166 APPLICATION SPEC: 114-20079 WEIGHT: - CUSTOMER DRAWING	BUCHANAN TERMINAL BLOCK PCB MOUNT TOP ENTRY WIRE, STACKING W/INTERLOCK, 5.08mm PITCH SIZE: A2 CASE CODE: 100779 DRAWING NO: 1546073 SCALE: 4:1 SHEET: 1 OF 1 REV: B