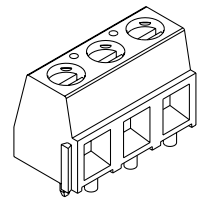
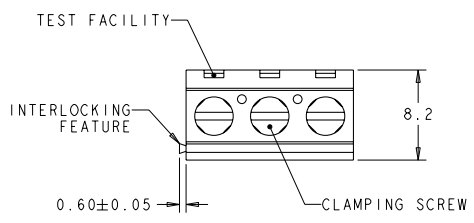
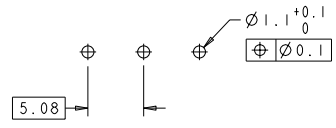
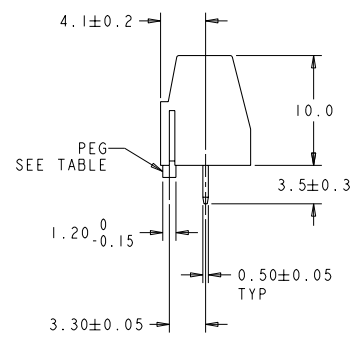
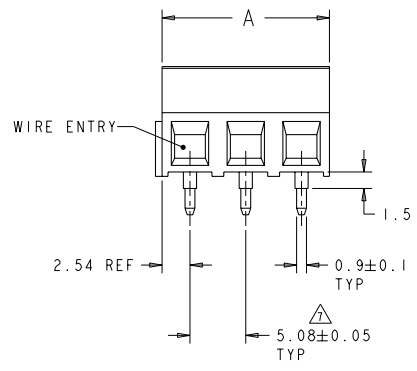


LOC		DIST		REVISIONS			
P	LYR	DESCRIPTION	DATE	BY	CHK	APPR	
G2		REVISED PER ECO-09-003633	10/02/2009	MMR	CR		



282837-3 AS SHOWN



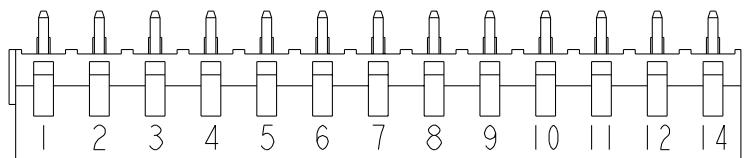
RECOMMENDED PC BOARD LAYOUT

SEE DETAIL B	NO	45.72	9	3-282837-3
SEE DETAIL A	NO	66.04	13	3-282837-2
-	NO	127.00	25	2-282837-5
-	NO	121.92	24	2-282837-4
-	NO	116.84	23	2-282837-3
-	NO	111.76	22	2-282837-2
-	NO	106.68	21	2-282837-1
-	NO	101.60	20	2-282837-0
-	NO	96.52	19	1-282837-9
-	NO	91.44	18	1-282837-8
-	NO	86.36	17	1-282837-7
-	NO	81.28	16	1-282837-6
-	NO	76.20	15	1-282837-5
-	NO	71.12	14	1-282837-4
-	NO	66.04	13	1-282837-3
-	NO	60.96	12	1-282837-2
-	NO	55.88	11	1-282837-1
-	NO	50.80	10	1-282837-0
-	NO	45.72	9	282837-9
-	NO	40.64	8	282837-8
-	NO	35.56	7	282837-7
-	NO	30.48	6	282837-6
-	NO	25.40	5	282837-5
-	NO	20.32	4	282837-4
-	NO	15.24	3	282837-3
-	NO	10.16	2	282837-2
PRELIMINARY	YES	10.16	2	282837-1

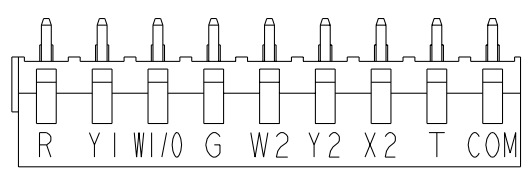
MARKING		PEG	A	NO OF POSN	PART NUMBER
DIMENSIONS:		TO DIMENSIONS UNLESS OTHERWISE SPECIFIED.		TYCO ELECTRONICS CORPORATION HARRISBURG, PA 17105-3608	
mm	0 PLC ±.3 1 PLC ±.3 2 PLC ±.25 3 PLC ±.25 4 PLC ±.25 ANGLES ±.2	OWN S. WELDON 20MAY2003 C. RICHARD 20MAY2003 C. RICHARD 20MAY2003	20MAY2003	Tyco Electronics	
MATERIAL		PRODUCT SPEC 108-20166	APPLICATION SPEC 114-20079	SIZE A2	CAGE CODE 00779
FINISH		CUSTOMER DRAWING		DRAWING NO 282837	
				SCALE 4:1 SHEET 1 OF 2 REV G2	

THIS DRAWING IS UNPUBLISHED. RELEASED FOR PUBLICATION BY TYCO ELECTRONICS CORPORATION. ALL RIGHTS RESERVED. COPYRIGHT 20

LOC	DIST	REVISIONS					
FT	0	P	LYR	DESCRIPTION	DATE	BY	APPR
		-		SEE SHEET 1	-	-	-



DETAIL A



DETAIL B

- △ MATERIALS AND FINISH
HOUSING: PA 6-6, UL 94-V0, COLOR GREEN.
CLAMP: BRASS, NICKEL PLATED.
TERMINAL: BRASS, TIN PLATED.
CLAMPING SCREW: M3, BRASS, NICKEL PLATED.
- 2. SUITABLE FOR 1,6-2,4mm PC BOARD THICKNESS.
- 3. END-TO-END STACKABLE W/INTERLOCK WITHOUT LOSS OF CENTERLINE SPACING.
- 4. WIRE SIZE RANGE: 16-28 AWG.
- 5. RECOGNIZED UNDER THE COMPONENT PROGRAM OF UNDERWRITERS LABORATORIES INC., FILE N° E60677.
- 6. IMO CERTIFICATE WITH SURVEILLANCE IN CONFORMITY WITH IEC 998-1/998-2-1.
- △ NOT CUMULATIVE TOLERANCE.
- △ CHARACTERS INK MARKED BLACK.

DIMENSIONS:		TO DRAWING DIMENSIONS:		OWN	20MAY2003	Tyco Electronics Harrisburg, PA 17105-3608	
mm		mm		DESIGNER	S. WELDON	TERMINAL BLOCK, PCB MOUNT SIDE ENTRY WIRE, STACKING W/INTERLOCK, 5.08mm PITCH	
0 PLC ±.1		0.15 ±.05		DATE	20MAY2003	NAME	
1 PLC ±.3		0.25 ±.08		APPROVED	C. RICHARD	C. RICHARD	
2 PLC ±.25		0.38 ±.12		PRODUCT SPEC			
3 PLC ±.1		0.51 ±.16		APPLICATION SPEC			
4 PLC ±.1		0.64 ±.20		WEIGHT		SIZE	A2
ANGLES ±.2		0.76 ±.24		FINISH		CASE CODE	00779
MATERIAL		FINISH		RESTRICTED TO		DRAWING NO	282837
-		-		CUSTOMER DRAWING		SCALE	4:1
						SHEET	2 OF 2
						REV	G2