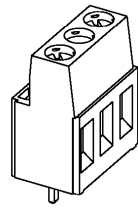
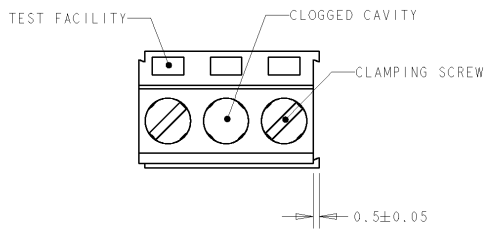


THIS DRAWING IS UNPUBLISHED. RELEASED FOR PUBLICATION  
 © COPYRIGHT 20 BY TYCO ELECTRONICS CORPORATION. ALL RIGHTS RESERVED.

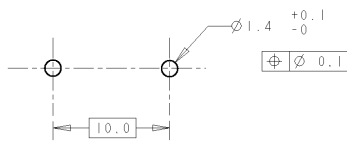
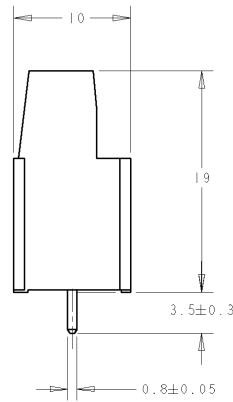
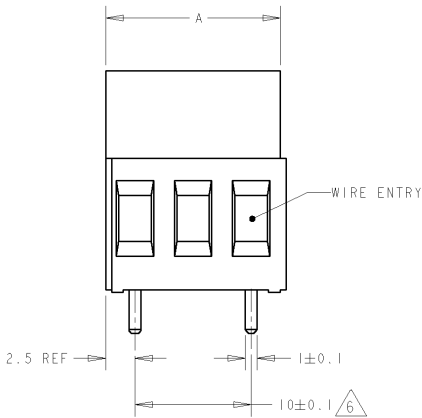
LOC	DIST	REVISIONS				
P	LTR	DESCRIPTION	DATE	DWN	APVD	
C		REVISED PER 063B-0106-01	05SEP2001	EZ	DB	
D		REVISED PER 063B-0119-01	05SEP2001	EZ	DB	
E		REVISED EC 063B-0115-02	16JAN2003	SW	CR	



282858-2 AS SHOWN  
SCALE 2:1

- 1 MATERIALS AND FINISH  
 HOUSING: PA 6-6, UL 94-V0, COLOR GREEN.  
 CLAMP: BRASS, NICKEL PLATED.  
 TERMINAL: BRASS, TIN PLATED.  
 CLAMPING SCREW: M3, BRASS, NICKEL PLATED.
- 2 SUITABLE FOR 1.6-2.4mm PCB BOARD THICKNESS.
- 3 WIRE SIZE RANGE  
 SOLID WIRE: 0.03-4mm<sup>2</sup> (11AWG).  
 STRANDED WIRE: 0.03-2.5mm<sup>2</sup> (13AWG).
- 4 RECOGNIZED UNDER THE COMPONENT PROGRAM OF  
 UNDERWRITERS LABORATORIES INC. FILE N° E60677.
- 5 IMQ CERTIFICATE WITH SURVEILLANCE IN CONFORMITY  
 WITH IEC 998-1/998-2-1.
- 6 NOT CUMULATIVE TOLERANCE.

DIM. A	N° OF POS.	PART NUMBER
125	13	1-282858-3
115	12	1-282858-2
105	11	1-282858-1
95	10	1-282858-0
85	9	282858-9
75	8	282858-8
65	7	282858-7
55	6	282858-6
45	5	282858-5
35	4	282858-4
25	3	282858-3
15	2	282858-2



RECOMMENDED PC BOARD LAYOUT

<small>THIS DRAWING IS A CONTROLLED DOCUMENT FOR THE ELECTRICAL CONNECTION IT IS SUBJECT TO CHANGE AND THE CONTROLLING ENGINEERING ORGANIZATION SHOULD BE CONTACTED FOR THE LATEST REVISION.</small>		DWN 05SEP2001 E. ZANOLINI CHN 05SEP2001 D. BIEVENOUR APVD 05SEP2001 D. BIEVENOUR	<b>BUCHANAN</b> Tyco Electronics Harrisburg, PA 17105-3608
DIMENSIONS: mm 	TOLERANCES UNLESS OTHERWISE SPECIFIED: 0 PLC ±.3 1 PLC ±.3 2 PLC ±.25 3 PLC ±.3 4 PLC ±.3 ANGLES ±.2	NAME TERMINAL BLOCK, PCB MOUNT, SIDE ENTRY WIRE, 10.0mm PITCH	RESTRICTED TO
MATERIAL	FINISH	PRODUCT SPEC 108-20166 APPLICATION SPEC 114-20079 WEIGHT -	SIZE A3 CAGE CODE 00779 DRAWING NO. C-282858
CUSTOMER DRAWING		SCALE 3:1	SHEET 1 OF 1 REV E

AMP 1470-19 REV 31MAR2000

Proj/ENGINEER DRAWING