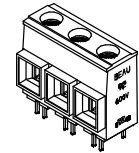
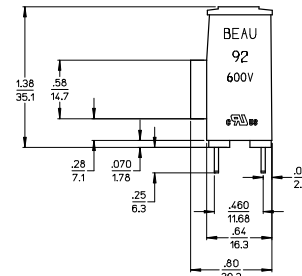
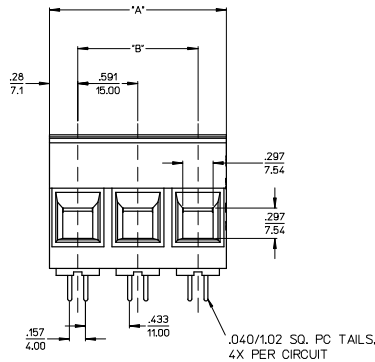
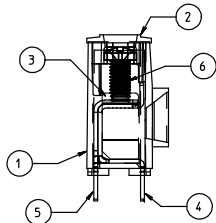
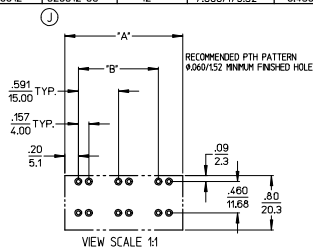
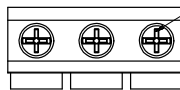


MATERIAL NO.	ENGINEERING NUMBER	NUMBER OF CIRCUITS	DIM 'A'	DIM 'B'
-56 OPTION			0.10/13	
399200502	920502-56	02	1.150/29.21	.591/15.91
399200503	920503-56	03	1.740/44.20	1.181/30.00
399200504	920504-56	04	2.330/59.18	1.772/45.01
399200505	920505-56	05	2.920/74.17	2.362/59.99
399200506	920506-56	06	3.510/89.15	2.953/75.01
399200507	920507-56	07	4.100/104.14	3.543/89.99
399200508	920508-56	08	4.690/119.13	4.134/105.00
399200509	920509-56	09	5.280/134.11	4.724/119.99
399200510	920510-56	10	5.870/149.10	5.315/135.00
399200511	920511-56	11	6.470/164.43	5.906/150.01
399200512	920512-56	12	7.060/179.32	6.496/165.00



ACTUAL SIZE

M5 COMBO HEAD SCREW, .25/6.25 BLADE, #2 POZI



NOTES:  
 1. DESIGNED TO MEET NEC & UL 1059 CLASS C 600 VOLTS  
 2. "XX" REFERS TO THE NUMBER OF CIRCUIT POSITIONS.

ITEM	QTY.	DESCRIPTION	MATERIAL	FINISH
6	XX	SCREW, M5, #2 POZI-SLOT, ST. STEEL	S.S.	TIN
5	XX	TERMINAL	COPPER	TIN
4	XX	TERMINAL	COPPER	TIN
3	XX	CAGE	BRASS	NICKEL
2	1	COVER	THERMOPLASTIC	BLACK
1	1	BODY	THERMOPLASTIC	BLACK

REMOVED BRASS OPT  
 IEC NO: ETC2006-0217  
 DRAWN BY: DRWASA VDEH  
 CHKD: RSTONE  
 APPROVED BY: APPR: RDEROSS

DATE: 2006/02/06  
 DATE: 2006/02/07  
 DATE: 2006/02/09

QUALITY SYMBOLS  
 ▽=0  
 ▽=0

GENERAL TOLERANCES (UNLESS SPECIFIED):  
 4 PLACES ±.002  
 3 PLACES ±.003  
 2 PLACES ±.013  
 1 PLACE ±.03  
 ANGULAR ±1/2°  
 DRAFT WHERE APPLICABLE  
 MUST REMAIN WITHIN DIMENSIONS

DIMENSION STYLE	SCALE	DESIGN UNITS	THIRD ANGLE PROJECTION
IN/MM	4:1	INCH	☑

DRAWN BY: GHR DATE: 00/02/03  
 CHECKED BY: RKEMP DATE: 00/12/11  
 APPROVED BY: LROTHAUS DATE: 01/05/10

TITLE: SR, BTS, #3AWG 85A, 600V  
 MOLEX INCORPORATED  
 MATERIAL NO. SD-39920-005  
 DOCUMENT NO. SD-39920-005  
 SHEET NO. 1 OF 1  
 THIS DRAWING CONTAINS INFORMATION THAT IS PROPRIETARY TO MOLEX INCORPORATED AND SHOULD NOT BE USED WITHOUT WRITTEN PERMISSION

lb\_frame\_C\_P\_ME\_T  
 Rev. D 2004/04/02