

1-n poles, Spacing 5.0 mm adjustable to 5.08 mm
insert required no. of poles \times
How to order see page 5



Ratings:

Rated Voltage	300 V	250 V
Rated Current	16 A	24 A (T60)
Wire Size	AWG 28-14	2.5 mm ²
Test Voltage		2.0 kV

Max. Rated Cross Section

Single Wire (solid)	2.5 mm ²
Stranded Wire (flexible)	2.5 mm ²
Stranded wire with Ferrules	1.5 mm ²

Dimensions

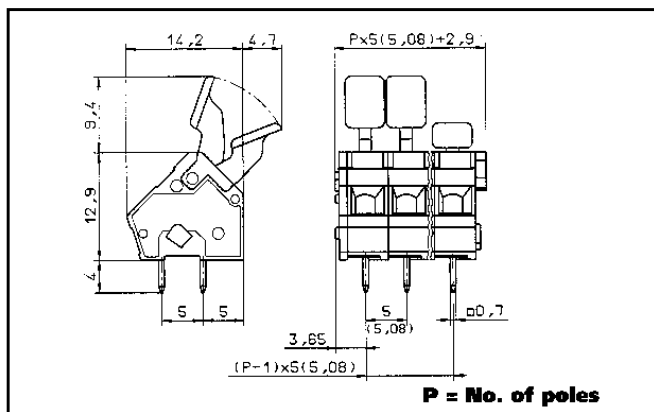
Spacing	5.0 mm (5.08 mm)
PCB Hole Diameter	1.0 mm (2x)
Stripped Length	6.0 mm

Materials

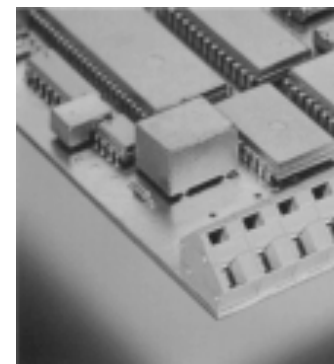
Insulating Material	PA
Flammability Class	UL94 V-0
Temperature Range	-30°C/+105°C
Cage Clamp	Stainless Steel
Wire Guard	Cu

Color

Slade Grey



P = No. of poles



1-n poles, Spacing 7

Ratings:

Rated Voltage	
Rated Current	
Wire Size	
Test Voltage	

Max. Rated Cross Section

Single Wire (solid)	
Stranded Wire (flexible)	
Stranded wire with Ferrules	

Dimensions

Spacing	
PCB Hole Diameter	
Stripped Length	

Materials

Insulating Material	
Flammability Class	
Temperature Range	
Cage Clamp	
Wire Guard	

Color

Slade Grey

