

Spacing 7.0 mm
insert required no. of poles **
How to order see page 6

*Approvals pending



300 VB
6 A
AWG 28-16

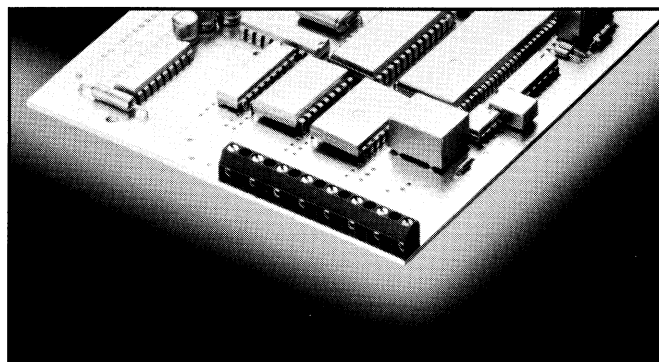
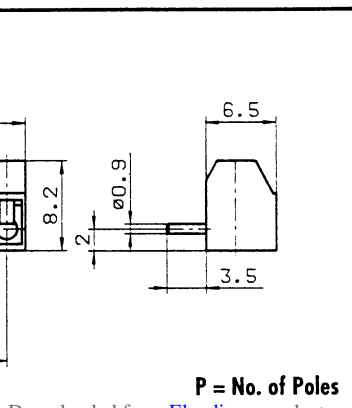


450 V
13.5 A (T60)
1.0 mm²
3.0 kV
0.4 Nm/M2

1.5 mm²
1.0 mm²
0.75 mm²

7.0 mm
1.2 mm
5.5 mm

PA
UL94 V-0
-30°C/+105°C
CuZn
CuSn
Grey



Spacing 7.0 mm
insert required no. of poles **
How to order see page 6

*Approvals pending

Ratings:



250 VB
6 A
AWG 28-16
Rated Voltage
Rated Current
Wire Size
Test Voltage
Rated Torque/Screw Size



300 VB
6 A
AWG 28-16
300 VB
6 A
AWG 28-16
3.0 kV
0.4 Nm/M2



Rated Cross Section

Single Wire (solid) 1.5 mm²
Stranded Wire (flexible) 1.0 mm²
Stranded wire with Ferrules 0.75 mm²

Dimensions

Spacing 7.0 mm
PCB Hole Diameter 1.2 mm
Stripped Length 5.5 mm

Materials

Insulating Material PA
Flammability Class UL94 V-0
Temperature Range -30°C/+105°C
Terminal Block CuZn
Wire Guard CuSn
Color Grey

