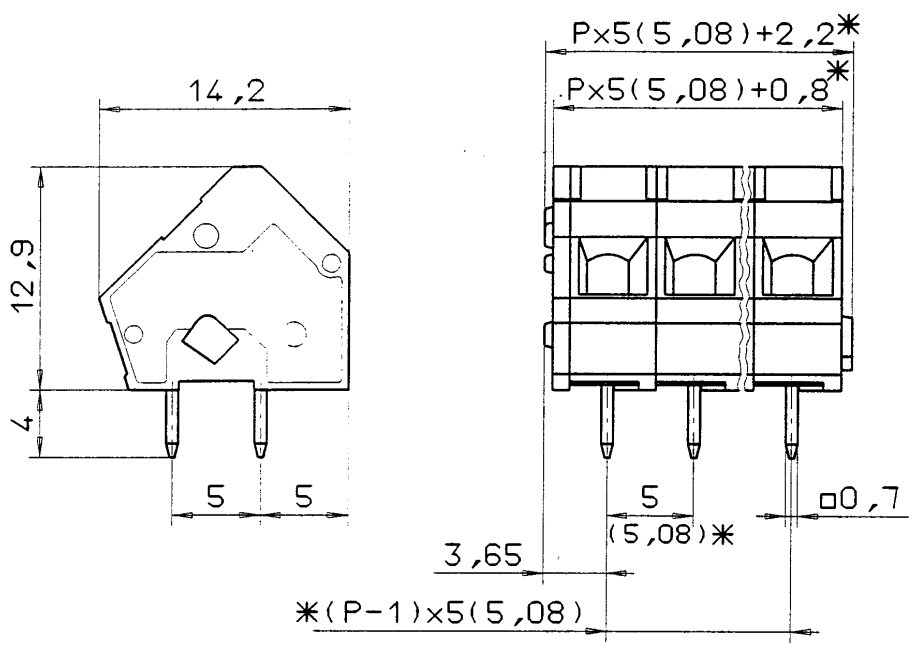


**Series:** 16A  
**Current Rating:** 300 VA  
**Wire Size:** 28-14AWG  
**Insulation Voltage:** 2.0 kV

**Cross Section:**  
 Wire (solid) 2.5mm<sup>2</sup>  
 Stranded Wire (flexible) 2.5mm<sup>2</sup>  
 Stranded Wire with Ferrules 1.5mm<sup>2</sup>

**Dimensions:**  
 Module Width 5.0mm(5.08mm)  
 Pin Diameter 1.0mm(2x)  
 Pin Length 6.0mm

**Materials:**  
 Housing Material PA  
 Insulation UL94V-0  
 Operating Temperature -30°C/+105°C  
 Contacts Stainless Steel  
 Terminals Cu  
 Color Slade Gray



**Part Number**  
**ED(Z)3000/[\*][\*]**  
 \* - NUMBER OF POSITIONS

**Units**  
 mm

**Drawing**

**Reviewed**

**Approved**

**Date**  
 1/05/96  
**Sheet 1 of 1**  
 Rev. A