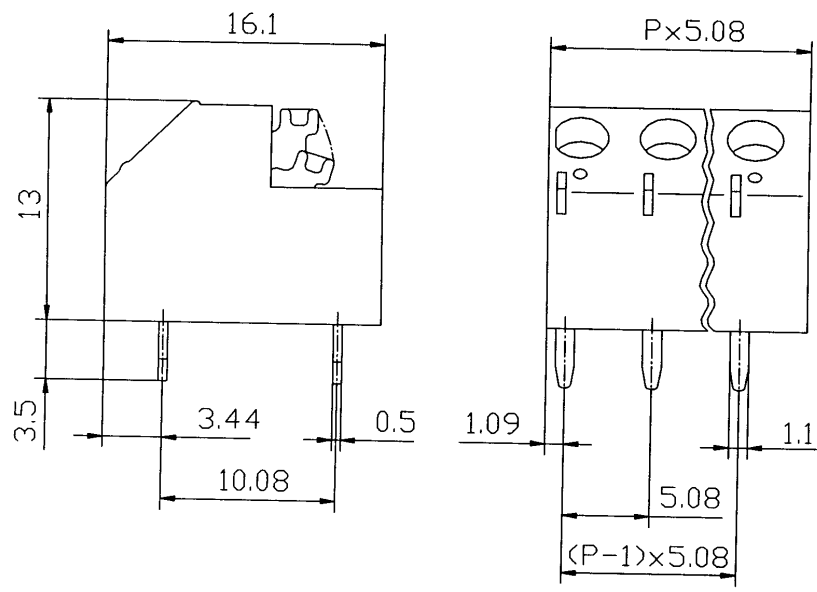


**Rating:**  
 Current: 16A  
 Voltage: 300 V  
 Wire Size: 22-15AWG  
 Insulation Voltage: 2.0 kV

**Cross Section:**  
 Wire (solid): 1.5mm<sup>2</sup>  
 Braided Wire (flexible): on request  
 Braided Wire with Ferrules: on request

**Dimensions:**  
 Mounting Hole Diameter: 5.08mm  
 Mounting Hole Spacing: 1.3mm  
 Mounting Hole Length: 10.0mm

**Materials:**  
 Housing Material: PA  
 Insulation Material: UL94V-0  
 Operating Temperature: -30°C/+105°C  
 Contact Material: Stainless Steel  
 Contact Plating: Cu  
 Color: Slade Gray



Part Number  
**EDZ4301/[\*][\*]-KD**  
 \* - NUMBER OF POSITIONS

Units  
 mm

Drawing

Reviewed

Approved

Date  
 3/23/99  
 Sheet 1 of 1  
 Rev. A