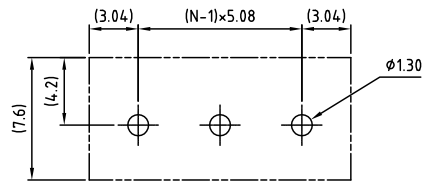
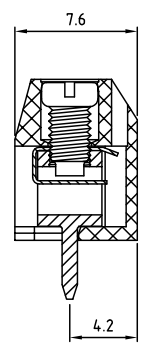
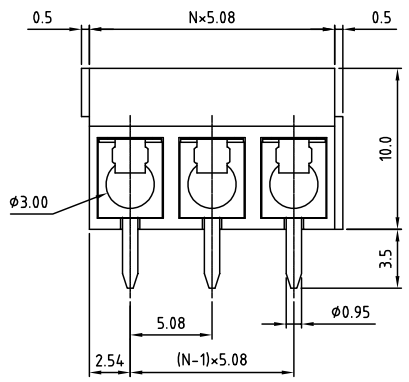
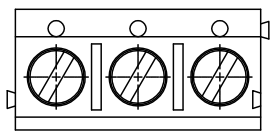


SIGN	DATE	DESCRIPTION	APPROVER
THIS IS CAD DRAWING, DO NOT REVISE MANUALLY!!!			



RECOMMENDED PCB LAYOUT

THESE DRAWINGS AND SPECIFICATIONS ARE THE PROPERTY OF ON-SHORE TECHNOLOGY, INC. AND SHALL NOT BE REPRODUCED, COPIED OR USED IN ANY MANNER WITHOUT THE PRIOR WRITTEN CONSENT OF ON-SHORE TECHNOLOGY, INC.

- Material**
- Terminal body (metal housing): Brass(CuZn)
 - Terminal screw: Steel Zinc plating "-" slot type
 - Wire guard: Stainless steel
 - Surface of solder tail: Tin plated
 - Insulator (housing): Thermoplastic (UL94V-0)
- Electrical cULus**
- Voltage rating: 300VAC
 - Current rating: 15A
 - Wire range: Solid wire(AWG): 14-22 Stranded wire(AWG): 14-22
 - Torque: 2.6Lb-In
 - Screw: M2.6
 - Wire strip length: 5-6mm
 - Withstanding Voltage: 1.6KV
 - Operating temperature: -30°C to +105°C
 - Soldering temperature: 250°C±10°C/5 Sec
 - Safety Approval:

RoHS Compliant

PART NUMBER:

OSTTCXX2162

No. of Poles	COLOR
02: 02 Poles	0: Black
03: 03 Poles	5: Green
...	6: Blue (Standard)
24: 24 Poles	8: Grey



TITLE		OSTTC-5.08 Series 2-Interlock	
PART NO.	OSTTCXX2162	DWG NO.	OSTTCXX2162.DWG
APPROVED	CHECKED	DESIGNED	DRAWN
	Marvin 2006.06.23	Marvin 2006.06.23	Marvin 2006.06.23
		CUST NO.	
		Tolerance	
		X. ±0.50	
		X.X ±0.30	
		X.XX ±0.10	
		X* ±1*	
		UNIT: mm	
		SCALE: NONE	
		REV: D	
		SHEET: 01/01	