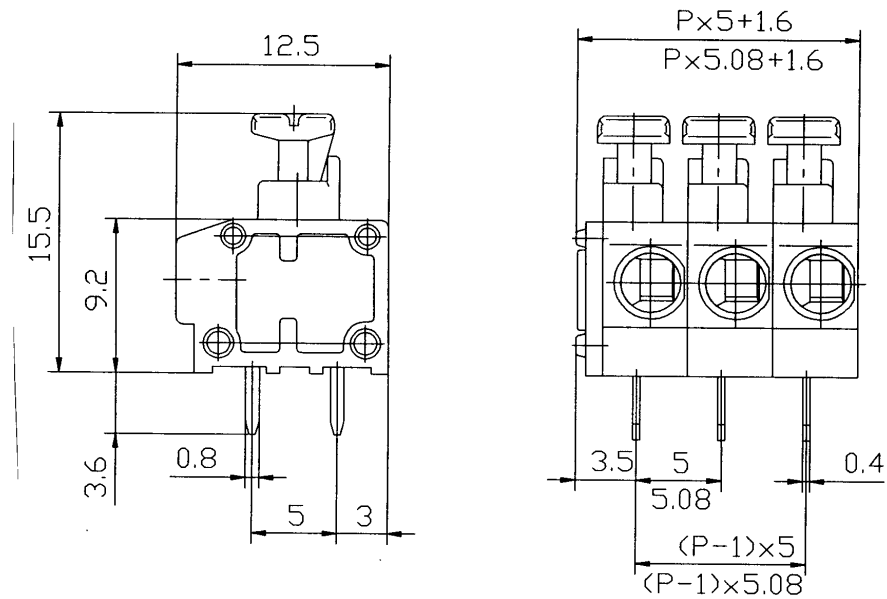


Current Rating: 10A
Rated Voltage: 300 V
Wire Size: 20-14AWG
Insulation Voltage: 2.0 KV

Cross Section:
 Solid Wire (solid) 1.5mm²
 Braided Wire (flexible) on request
 Braided Wire with Ferrules on request

Dimensions:
 Mounting Hole Diameter 5.0mm
 Mounting Hole Diameter 1.0mm
 Mounting Hole Length 9.0mm

Materials:
 Housing Material PA
 Insulation Material UL94V-0
 Operating Temperature -30°C/+105°C
 Contact Material Stainless Steel
 Contact Material Cu
 Contact Color Slade Gray



Part Number
ED(Z)4101/[*][*]-KD
 * - NUMBER OF POSITIONS

Units
 mm

Drawing

Reviewed

Approved

Date

3/13/99

Sheet 1 of 1

Rev. A