

2-12 poles, Spacing 5.0 mm
insert required no. of poles **X**
How to order see page 5



Ratings:

Rated Voltage	300V	250 V
Rated Current	15 A	32 A (T60)
Wire Size	AWG 22-14	4.0 mm ²
Test Voltage		2.0 kV
Rated Torque/ScrewSize		0.8 Nm/M3

Max. Rated Cross Section

Single Wire (solid)	4.0 mm ²
Stranded Wire (flexible)	2.5 mm ²
Stranded wire with Ferrules	1.5 mm ²

Dimensions

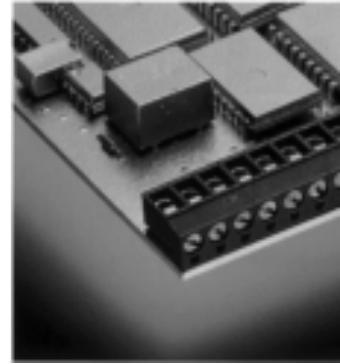
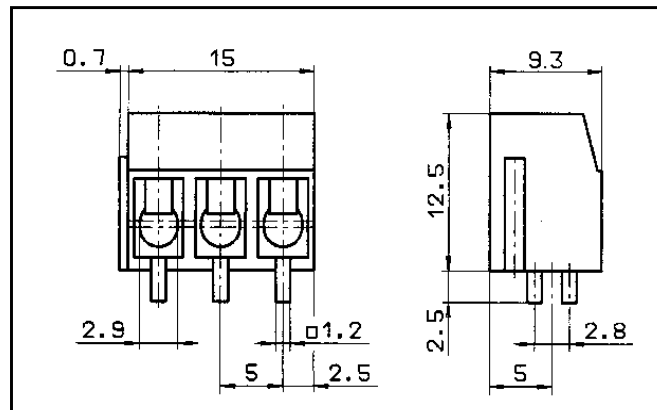
Spacing	5.0 mm
PCB Hole Diameter	2.0 mm x 2.8 mm
Stripped Length	7.0 mm

Materials

Insulating Material	PA
Flammability Class	UL94 V-0
Temperature Range	-30°C/+105°C
Terminal Block	CuZn
Wire Guard	Stainless Steel

Color

Grey



Ratings:

Rated Voltage	250 V
Rated Current	32 A (T60)
Wire Size	4.0 mm ²
Test Voltage	2.0 kV
Rated Torque/ScrewSize	0.8 Nm/M3

Max. Rated Cross Section

Single Wire (solid)	4.0 mm ²
Stranded Wire (flexible)	2.5 mm ²
Stranded wire with Ferrules	1.5 mm ²

Dimensions

Spacing	5.0 mm
PCB Hole Diameter	2.0 mm x 2.8 mm
Stripped Length	7.0 mm

Materials

Insulating Material	PA
Flammability Class	UL94 V-0
Temperature Range	-30°C/+105°C
Terminal Block	CuZn
Wire Guard	Stainless Steel

Color

Blue

