




Spacing 5.08 mm
insert required no. of poles **
How to order see page 6

Ratings:

*Approvals pending

| |  UL1059 |  CSA 22.2 No. 158 |  EN 60998 |
|--------------------------------|--|--|--|
| Rated Voltage | 250 VB | 300 VB | 250 V |
| Rated Current | 16 A | 16 A | 17.5 A (T60) |
| Wire Size | AWG 28-14 | AWG 28-14 | 1.5 mm² |
| Test Voltage | | | 2.0 kV |
| Rated Torque/Screw Size | | | 0.5 Nm/M3 |

Rated Cross Section

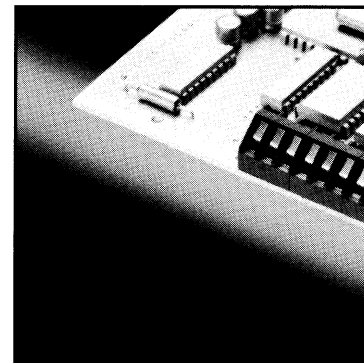
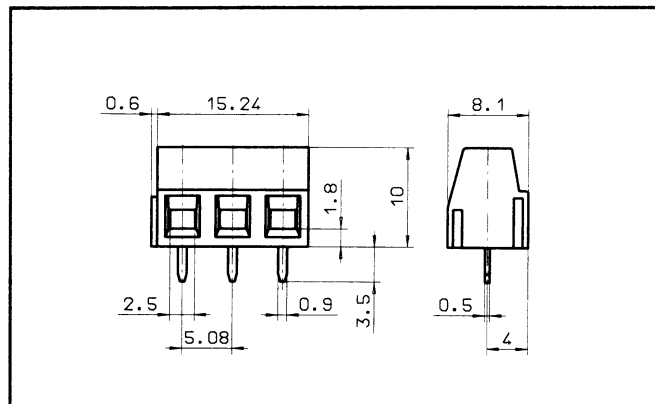
| | |
|-----------------------------|---------------------|
| Single Wire (solid) | 1.5 mm ² |
| Stranded Wire (flexible) | 1.5 mm ² |
| Stranded wire with Ferrules | 1.5 mm ² |

Dimensions


| | |
|-------------------|---------|
| Spacing | 5.08 mm |
| PCB Hole Diameter | 1.3 mm |
| Stripped Length | 6.0 mm |

Materials

| | |
|---------------------|--------------|
| Insulating Material | PA |
| Flammability Class | UL94 V-0 |
| Temperature Range | -30°C/+105°C |
| Terminal Block | CuZn |
| Wire Guard | Cu |
| Color | Green |



Ratings:

| |  UL1059 |
|--------------------------------|--|
| Rated Voltage | 250 VB |
| Rated Current | 15 A |
| Wire Size | AWG 22-12 |
| Test Voltage | |
| Rated Torque/Screw Size | |

Rated Cross Section

| | |
|-----------------------------|---------------------|
| Single Wire (solid) | 1.5 mm ² |
| Stranded Wire (flexible) | 1.5 mm ² |
| Stranded wire with Ferrules | 1.5 mm ² |

Dimensions

| | |
|-------------------|---------|
| Spacing | 5.08 mm |
| PCB Hole Diameter | 1.3 mm |
| Stripped Length | 6.0 mm |

Materials

| | |
|---------------------|--------------|
| Insulating Material | PA |
| Flammability Class | UL94 V-0 |
| Temperature Range | -30°C/+105°C |
| Terminal Block | CuZn |
| Wire Guard | Cu |
| Color | Green |

