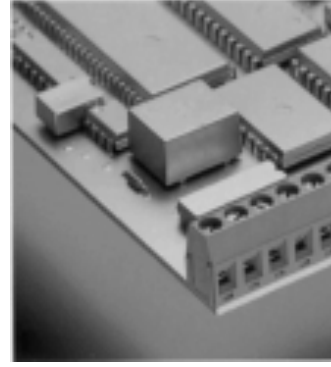
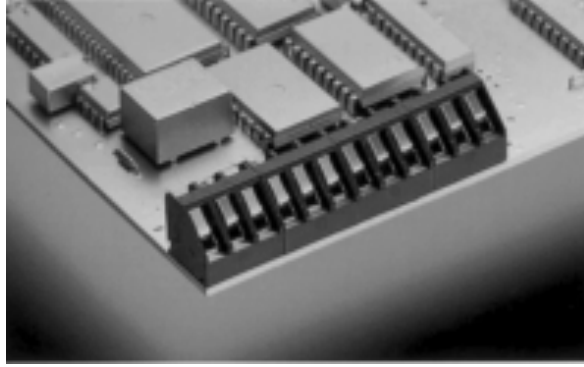


ED300/X (5.0mm)
EDZ300/X (5.08 mm)

ED350/X (5.0mm)
EDZ350/X (5.08 mm)



2-12 poles, Spacing 5.0 mm or 5.08 mm
 insert required no. of poles X
 How to order see page 5

2-12 poles, S



Ratings:

Rated Voltage	300V	250 V
Rated Current	15 A	24 A (T60)
Wire Size	AWG 22-12	2.5 mm ²
Test Voltage		2.0 kV
Rated Torque/ScrewSize		0.5 Nm/M2.6

Max. Rated Cross Section

Single Wire (solid)	2.5 mm ²
Stranded Wire (flexible)	1.5 mm ²
Stranded wire with Ferrules	1.5 mm ²

Dimensions

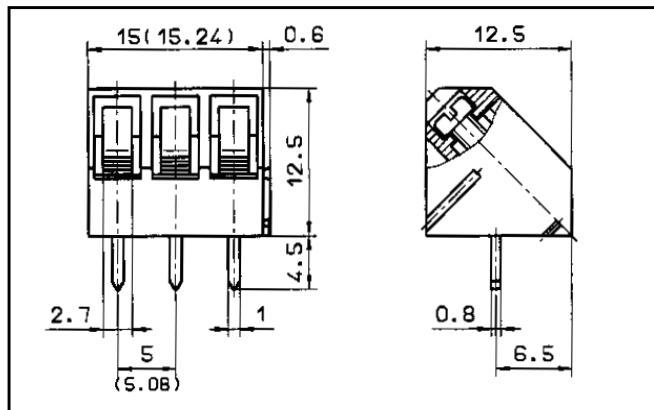
Spacing	5.0 mm (5.08 mm)
PCB Hole Diameter	1.3 mm
Stripped Length	7.0 mm

Materials

Insulating Material	PA
Flammability Class	UL94 V-0
Temperature Range	-30°C/+105°C
Terminal Block	CuZn
Wire Guard	Cu

Color

Blue, (Grey)



Ratings:

Rated Voltage	250 V
Rated Current	24 A (T60)
Wire Size	2.5 mm ²
Test Voltage	2.0 kV
Rated Torque/ScrewSize	0.5 Nm/M2.6

Max. Rated Cross Section

Single Wire (solid)	2.5 mm ²
Stranded Wire (flexible)	1.5 mm ²
Stranded wire with Ferrules	1.5 mm ²

Dimensions

Spacing	5.0 mm (5.08 mm)
PCB Hole Diameter	1.3 mm
Stripped Length	7.0 mm

Materials

Insulating Material	PA
Flammability Class	UL94 V-0
Temperature Range	-30°C/+105°C
Terminal Block	CuZn
Wire Guard	Cu

Color

Green

