

5.0 mm)
(5.08 mm)

ED550/XDS



Spacing 5.0 mm or 5.08 mm
insert required no. of poles \times
How to order see page 5

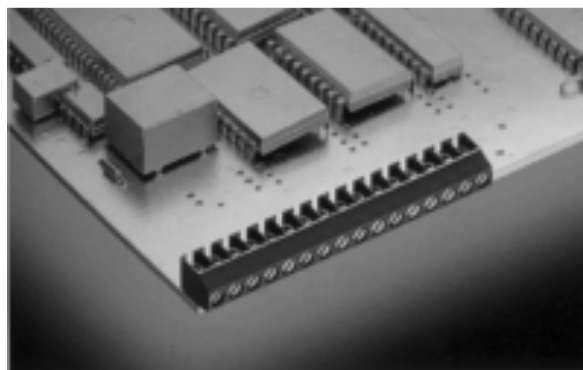
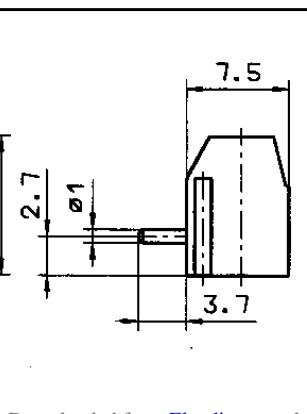


100V
5 A
WG 22-14
250 V
17.5 A (T60)
1.5 mm²
2.0 kV
0.4 Nm/M2.6

1.5 mm²
1.5 mm²
0.75 mm²

5.0 mm (5.08 mm)
1.3 mm
5.0 mm

PA
UL94 V-0
-30°C/+105°C
CuZn
Stainless Steel



2-16 poles, Spacing 3.5 mm
insert required no. of poles \times
How to order see page 5



Ratings:

Rated Voltage	125 V	130 V
Rated Current	6 A	13.5 A (T60)
Wire Size	AWG 28-16	1.0 mm ²
Test Voltage		2.0 kV
Rated Torque/ScrewSize		0.4 Nm/M2

Max. Rated Cross Section

Single Wire (solid)	1.5 mm ²
Stranded Wire (flexible)	1.0 mm ²
Stranded wire with Ferrules	0.75 mm ²

Dimensions

Spacing	3.5 mm
PCB Hole Diameter	1.2 mm
Stripped Length	5.5 mm

Materials

Insulating Material	PA
Flammability Class	UL94 V-0
Temperature Range	-30°C/+105°C
Terminal Block	CuZn
Wire Guard	Stainless Steel

Color

Grey

