

2-16 poles, Spacing 3.5 mm  
insert required no. of poles  $\times$   
How to order see page 5



**Ratings:**

Rated Voltage	150 V	130 V
Rated Current	6 A	13.5 A (T60)
Wire Size	AWG 28-16	1.0 mm <sup>2</sup>
Test Voltage		2.0 kV
Rated Torque/ScrewSize		0.4 Nm/M2

**Max. Rated Cross Section**

Single Wire (solid)	1.5 mm <sup>2</sup>
Stranded Wire (flexible)	1.5 mm <sup>2</sup>
Stranded wire with Ferrules	0.75 mm <sup>2</sup>

**Dimensions**

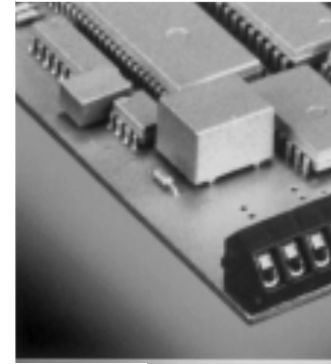
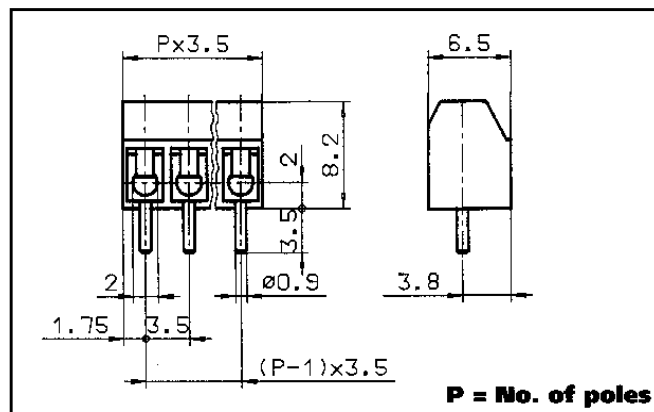
Spacing	3.5 mm
PCB Hole Diameter	1.2 mm
Stripped Length	5.5 mm

**Materials**

Insulating Material	PA
Flammability Class	UL94 V-0
Temperature Range	-30°C/+105°C
Terminal Block	CuZn
Wire Guard	Stainless Steel

**Color**

Grey



**Ratings:**

Rated Voltage	130 V
Rated Current	13.5 A (T60)
Wire Size	1.0 mm <sup>2</sup>
Test Voltage	2.0 kV
Rated Torque/ScrewSize	0.4 Nm/M2

**Max. Rated Cross Section**

Single Wire (solid)	1.5 mm <sup>2</sup>
Stranded Wire (flexible)	1.5 mm <sup>2</sup>
Stranded wire with Ferrules	0.75 mm <sup>2</sup>

**Dimensions**

Spacing	3.5 mm
PCB Hole Diameter	1.2 mm
Stripped Length	5.5 mm

**Materials**

Insulating Material	PA
Flammability Class	UL94 V-0
Temperature Range	-30°C/+105°C
Terminal Block	CuZn
Wire Guard	Stainless Steel

**Color**

Blue

