

2-12 poles, Spacing 5.08 mm  
insert required no. of poles **X**  
How to order see page 5



**Ratings:**

Rated Voltage	300 V	250 V
Rated Current	15 A	24 A (T60)
Wire Size	AWG 22-14	2.5 mm <sup>2</sup>
Test Voltage		2.0 kV
Rated Torque/ScrewSize		0.5 Nm/M3

**Max. Rated Cross Section**

Single Wire (solid)	2.5 mm <sup>2</sup>
Stranded Wire (flexible)	1.5 mm <sup>2</sup>
Stranded wire with Ferrules	1.5 mm <sup>2</sup>

**Dimensions**

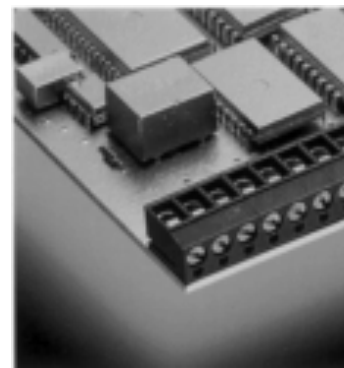
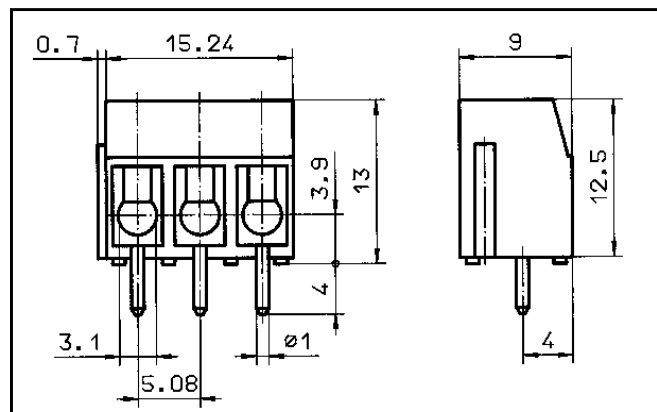
Spacing	5.08 mm
PCB Hole Diameter	1.3 mm
Stripped Length	7.0 mm

**Materials**

Insulating Material	PA
Flammability Class	UL94 V-0
Temperature Range	-30°C/+105°C
Terminal Block	CuZn
Wire Guard	Stainless Steel

**Color**

Blue



2-12 poles, Spacing 5.08 mm  
insert required no. of poles **X**  
How to order see page 5

**Ratings:**

Rated Voltage	250 V
Rated Current	24 A (T60)
Wire Size	2.5 mm <sup>2</sup>
Test Voltage	2.0 kV
Rated Torque/ScrewSize	0.5 Nm/M3

**Max. Rated Cross Section**

Single Wire (solid)	2.5 mm <sup>2</sup>
Stranded Wire (flexible)	1.5 mm <sup>2</sup>
Stranded wire with Ferrules	1.5 mm <sup>2</sup>

**Dimensions**

Spacing	5.08 mm
PCB Hole Diameter	1.3 mm
Stripped Length	7.0 mm

**Materials**

Insulating Material	PA
Flammability Class	UL94 V-0
Temperature Range	-30°C/+105°C
Terminal Block	CuZn
Wire Guard	Stainless Steel

**Color**

Blue

