




Spacing 5.0 mm
insert required no. of poles **
How to order see page 6

Ratings:

	 UL1059	 CSA 22.2 No. 158	 EN 60998
Rated Voltage	250 VB	300 VB	250 V
Rated Current	15 A	7 A	24 A (T60)
Wire Size	AWG 22-14	AWG 22-14	2.5 mm ²
Test Voltage			2.0 kV
Rated Torque/Screw Size			0.5 Nm/M3

Rated Cross Section

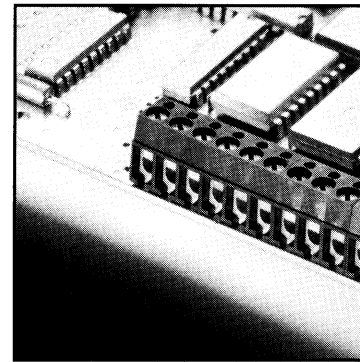
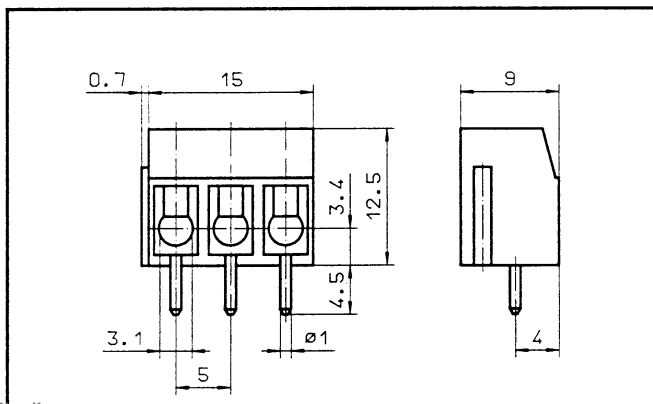
Single Wire (solid)	2.5 mm ²
Stranded Wire (flexible)	1.5 mm ²
Stranded wire with Ferrules	1.5 mm ²

Dimensions


Spacing	5.0 mm
PCB Hole Diameter	1.3 mm
Stripped Length	7.0 mm

Materials

Insulating Material	PA
Flammability Class	UL94 V-0
Temperature Range	-30°C/+105°C
Terminal Block	CuZn
Wire Guard	CuNi
Color	Blue



Ratings:

	 UL1059
Rated Voltage	250 VB
Rated Current	10 A
Wire Size	AWG 22-12
Test Voltage	
Rated Torque/Screw Size	

Rated Cross Section

Single Wire (solid)	2.5 mm ²
Stranded Wire (flexible)	1.5 mm ²
Stranded wire with Ferrules	1.5 mm ²

Dimensions

Spacing	5.0 mm
PCB Hole Diameter	1.3 mm
Stripped Length	7.0 mm

Materials

Insulating Material	PA
Flammability Class	UL94 V-0
Temperature Range	-30°C/+105°C
Terminal Block	CuZn
Wire Guard	CuNi
Color	Blue

