

2-12 poles, Spacing 5.0 mm or 5.08 mm
 insert required no. of poles **X**
 How to order see page 5



Ratings:

Rated Voltage	300V	250 V
Rated Current	15 A	17.5 A (T60)
Wire Size	AWG 22-14	1.5 mm²
Test Voltage		2.0 kV
Rated Torque/ScrewSize		0.4 Nm/M2.6

Max. Rated Cross Section

Single Wire (solid)	1.5 mm²
Stranded Wire (flexible)	1.5 mm²
Stranded wire with Ferrules	0.75 mm²

Dimensions

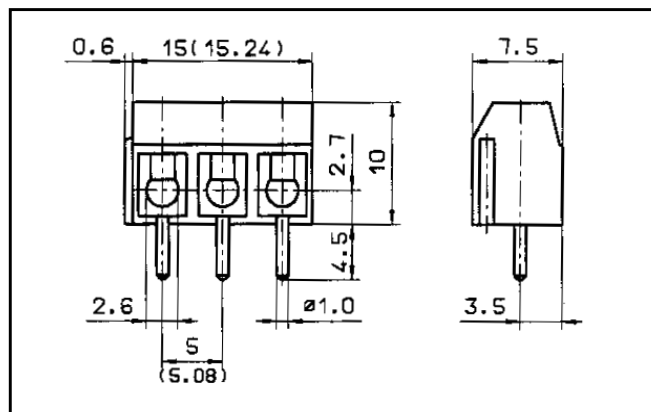
Spacing	5.0 mm (5.08 mm)
PCB Hole Diameter	1.3 mm
Stripped Length	6.0 mm

Materials

Insulating Material	PA
Flammability Class	UL94 V-0
Temperature Range	-30°C/+105°C
Terminal Block	CuZn
Wire Guard	Stainless Steel

Color

Blue



Ratings:

Rated Voltage	250 V
Rated Current	17.5 A (T60)
Wire Size	1.5 mm²
Test Voltage	2.0 kV
Rated Torque/ScrewSize	0.4 Nm/M2.6

Max. Rated Cross Section

Single Wire (solid)	1.5 mm²
Stranded Wire (flexible)	1.5 mm²
Stranded wire with Ferrules	0.75 mm²

Dimensions

Spacing	5.0 mm (5.08 mm)
PCB Hole Diameter	1.3 mm
Stripped Length	6.0 mm

Materials

Insulating Material	PA
Flammability Class	UL94 V-0
Temperature Range	-30°C/+105°C
Terminal Block	CuZn
Wire Guard	Stainless Steel

Color

Grey

