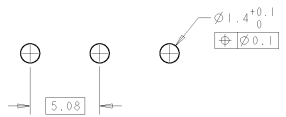
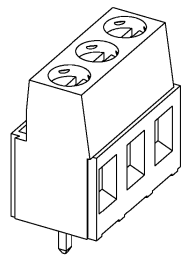
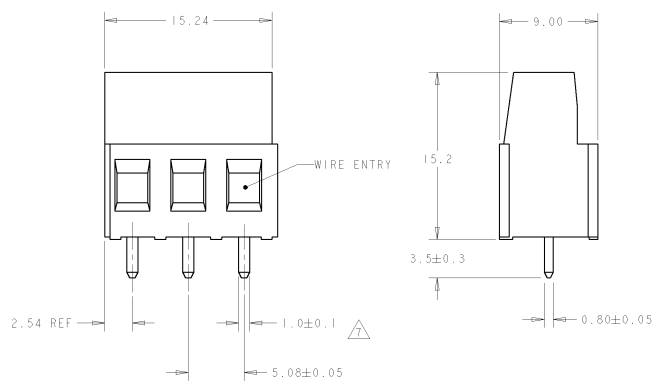
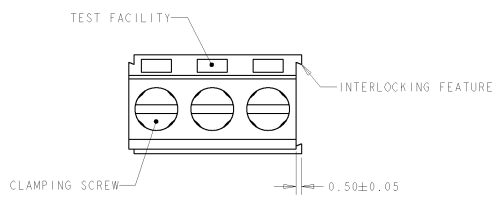


REV	DATE	BY	CHKD	DESCRIPTION
A	22AUG2001			RELEASED EC 0638-0471-01
B	21MAR2002	EZ	DB	REVISED PER 0638-0127-02
C	05JUN2003	SW	CR	REVISED EC 0638-0423-02
D	06JUN2003	SW	CR	REVISED EC 0638-0144-03

△ MATERIALS AND FINISH:
 HOUSING: PA 6-6, UL 94-V0, COLOR:BLACK.
 CLAMP: BRASS, NICKEL PLATED.
 TERMINAL: BRASS, TIN PLATED.
 CLAMPING SCREW: M3, BRASS, NICKEL PLATED.

- SUITABLE FOR 1.6-2.4mm PCB THICKNESS.
- END-TO-END STACKABLE W/INTERLOCK WITHOUT LOSS OF CENTERLINE SPACING.
- WIRE SIZE RANGE: 12 - 30 AWG
- RECOGNIZED UNDER THE COMPONENT PROGRAM OF UNDERWRITERS LABORATORIES INC. FILE No E60677.
- IMO CERTIFICATE WITH SURVEILLANCE IN CONFORMITY WITH IEC 998-1/998-2-1.
- NOT CUMULATIVE TOLERANCE.
- WHITE INK STAMPING.
- BUCHANAN LOGO TO APPEAR ON HOUSING, LOCATION OPTIONAL, WHERE SPACE PERMITS.



RECOMMENDED PC BOARD LAYOUT
 SCALE: 5:1

SEE DETAIL	POSN	DATE	REV	DESCRIPTION
P	30.48	6	3-796949-1	
N	10.16	2	3-796949-0	
M	40.64	8	2-796949-9	
L	40.64	8	2-796949-8	
-	127.00	25	2-796949-5	
-	121.92	24	2-796949-4	
-	116.84	23	2-796949-3	
-	111.76	22	2-796949-2	
-	106.68	21	2-796949-1	
-	101.60	20	2-796949-0	
-	96.52	19	1-796949-9	
-	91.44	18	1-796949-8	
-	86.36	17	1-796949-7	
-	81.28	16	1-796949-6	
-	76.20	15	1-796949-5	
-	71.12	14	1-796949-4	
-	66.04	13	1-796949-3	
-	60.96	12	1-796949-2	
-	55.88	11	1-796949-1	
-	50.80	10	1-796949-0	
-	45.72	9	796949-9	
-	40.64	8	796949-8	
-	35.56	7	796949-7	
-	30.48	6	796949-6	
-	25.40	5	796949-5	
-	20.32	4	796949-4	
-	15.24	3	796949-3	
-	10.16	2	796949-2	
MARKING	A	POSN	PART NUMBER	

DIMENSIONS: mm 0 PLC #0 1 PLC #3 2 PLC #16 3 PLC #25 4 PLC #30 ANGLES #0 FINISH #0	DATE: 22AUG2001 DESIGNED BY: S. WELDON CHECKED BY: D. BIEVENOUR APPROVED BY: D. BIEVENOUR DATE: 22AUG2001	Tyco Electronics Harrisburg, PA 17105-3600
MATERIAL: △ FINISH: △	APPLICATION SPEC: - WEIGHT: - CUSTOMER DRAWING:	PRODUCT SPEC: - SIZE: A2 CASE CODE: 100779 DRAWING NO: 796949 SCALE: 4:1 SHEET: 1 OF 2 RESTRICTED TO: - REV: D

