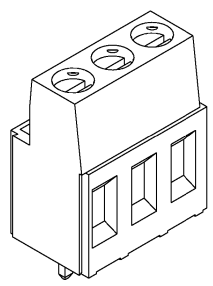
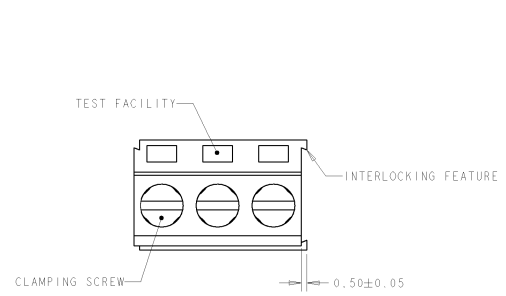
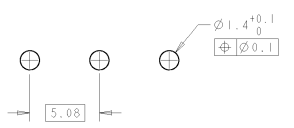
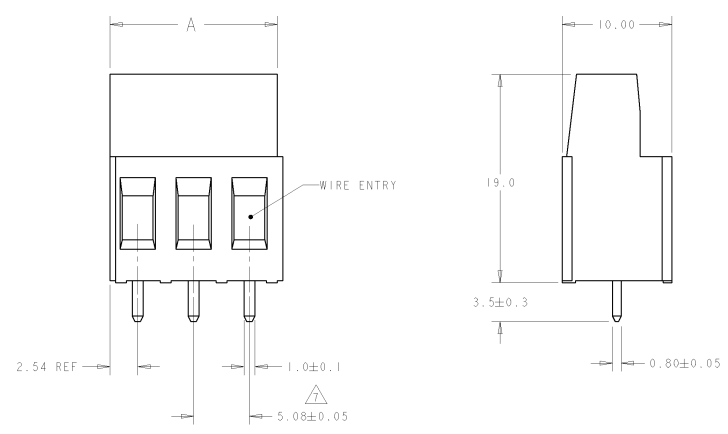


LOC	DISP	REVISIONS					
FT	0	TR	LYR	DESCRIPTION	DATE	DRW	APPR
		F		REVISED EC 0038-0545-03	24SEP2003	SW	CR



282857-3 AS SHOWN



RECOMMENDED PC BOARD LAYOUT
SCALE 5:1

SEE DETAIL	L	15.24	3	2-282857-6
-	127.00	25	2-282857-5	
-	121.92	24	2-282857-4	
-	116.84	23	2-282857-3	
-	111.76	22	2-282857-2	
-	106.68	21	2-282857-1	
-	101.60	20	2-282857-0	
-	96.52	19	1-282857-9	
-	91.44	18	1-282857-8	
-	86.36	17	1-282857-7	
-	81.28	16	1-282857-6	
-	76.20	15	1-282857-5	
-	71.12	14	1-282857-4	
-	66.04	13	1-282857-3	
-	60.96	12	1-282857-2	
-	55.88	11	1-282857-1	
-	50.80	10	1-282857-0	
-	45.72	9	282857-9	
-	40.64	8	282857-8	
-	35.56	7	282857-7	
-	30.48	6	282857-6	
-	25.40	5	282857-5	
-	20.32	4	282857-4	
-	15.24	3	282857-3	
-	10.16	2	282857-2	

DIMENSIONS: mm DIMENSIONS IN PARENTHESES ARE FOR INFORMATION ONLY. DIMENSIONS IN PARENTHESES ARE NOT TO BE USED FOR CONSTRUCTION.		DWG: 24SEP2003 DESIGNED BY: S. WELDON CHKD BY: C. RICHARD APPR BY: C. RICHARD	Tico Electronics Harrisburg, PA 17105-3600
MATERIAL: FINISH:	DIMENSIONS: DIMENSIONS IN PARENTHESES ARE FOR INFORMATION ONLY. DIMENSIONS IN PARENTHESES ARE NOT TO BE USED FOR CONSTRUCTION.	PRODUCT SPEC: - APPLICATION SPEC: - WEIGHT: - CUSTOMER DRAWING	BUCHANAN TERMINAL BLOCK, PCB MOUNT, SIDE WIRE ENTRY, STACKING W/INTERLOCK, 5.08mm PITCH SIZE: A2 CASE CODE: 100779 DRAWING NO: 282857 SCALE: 4:1 SHEET: 1 OF 2 RESTRICTED TO: F

AMP 1471-8 REV 20MAR2000
P&E ENGINEER DRAWING

4

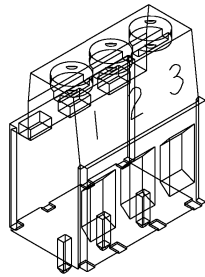
3

2

1

THIS DRAWING IS UNPUBLISHED. RELEASED FOR PUBLICATION BY TICO ELECTRONICS CORPORATION. ALL RIGHTS RESERVED.

REV. NO.	DATE	BY	DESCRIPTION
0			SEE SHEET 1



DETAIL L

- △ MATERIALS AND FINISH:
HOUSING: PA 6-6, UL 94-V0, COLOR: GREEN.
CLAMP: BRASS, NICKEL PLATED.
TERMINAL: BRASS, TIN PLATED.
CLAMPING SCREW: M3, BRASS, NICKEL PLATED.
- 2. SUITABLE FOR 1,6-2,4mm. PCB THICKNESS.
- 3. END-TO-END STACKABLE W/INTERLOCK WITHOUT LOSS OF CENTERLINE SPACING.
- 4. WIRE SIZE RANGE
SOLID WIRE: 0.03-4mm² (11 AWG)
STRANDED WIRE: 0.03-2.5mm² (13 AWG)
- 5. RECOGNIZED UNDER THE COMPONENT PROGRAM OF UNDERWRITERS LABORATORIES INC. FILE No E60677.
- 6. IMO CERTIFICATE WITH SURVEILLANCE IN CONFORMITY WITH IEC 998-1/998-2-1.
- △ NOT CUMULATIVE TOLERANCE.
- 8. NUMERICAL SEQUENCE: FROM LEFT TO RIGHT, WIRE ENTRY SIDE.
- 9. INK MARKING: WHITE COLOR.

DIMENSIONS: mm 		0 PLC #0 1 PLC #1.2 2 PLC #2.5 3 PLC #0 4 PLC #0 ANGLES #0 90°	DWG: 24SEP2003 DESIGNED: S. WELDON CHKD: C. RICHARD APPR: C. RICHARD DATE: 24SEP2003 TITLE: CUSTOMER DRAWING	Tico Electronics Harrisburg, PA 17105-3608 TERMINAL BLOCK, PCB MOUNT, SIDE WIRE ENTRY, STACKING W/INTERLOCK, 5.08mm PITCH	SIZE: A2 CASE CODE: 100779 DRAWING NO: 282857	RESTRICTED TO: - SCALE: 4:1 SHEET: 2 OF 2 REV: F
-----------------------	--	-------------------------------------------------------------------------------	-----------------------------------------------------------------------------------------------------------------------------	---------------------------------------------------------------------------------------------------------------------------------------	-----------------------------------------------------	-----------------------------------------------------------