

4

3

2

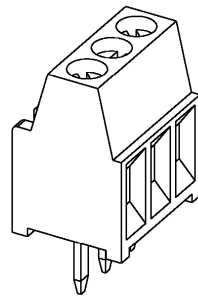
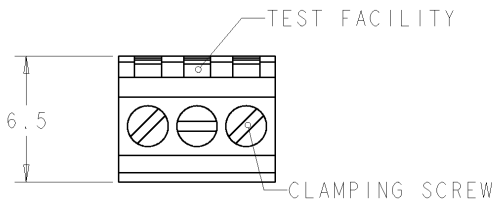
1

THIS DRAWING IS UNPUBLISHED. RELEASED FOR PUBLICATION 20  
 © COPYRIGHT 20 BY TYCO ELECTRONICS CORPORATION. ALL RIGHTS RESERVED.

LOC FT 0  
 DIST 0

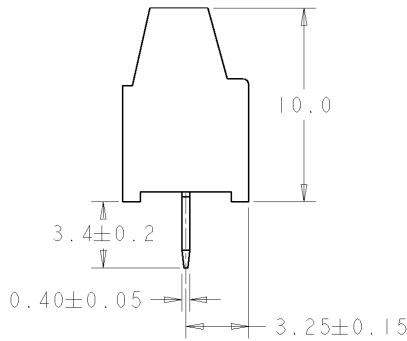
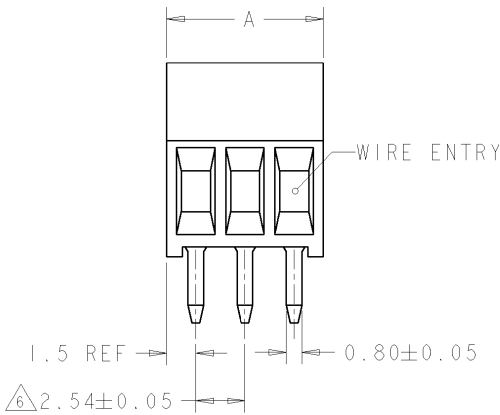
REVISIONS

P	LTR	DESCRIPTION	DATE	DWN	APVD
C		REVISED PER 0G3B-0119-01	15AUG2001	EZ	DB



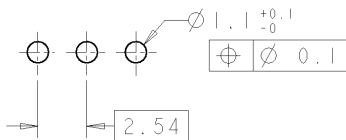
282834-3 AS SHOWN

- △ MATERIALS AND FINISH  
 HOUSING: PA 6-6, UL 94-V0, COLOR GREEN.  
 CLAMP: BRASS, NICKEL PLATED.  
 TERMINAL: BRASS, TIN PLATED.  
 CLAMPING SCREW: M1.6, BRASS, NICKEL PLATED.
  - 2 SUITABLE FOR 1.6-2.4mm PC BOARD THICKNESS.
  - 3 CONNECTION POWER  
 SOLID WIRE: 0.03-1mm (17AWG).  
 STRANDED WIRE: 0.03-0.75mm (18AWG)<sub>2</sub>
  - 4 RECOGNIZED UNDER THE COMPONENT PROGRAM OF UNDERWRITERS LABORATORIES INC. FILE N° E60677.
  - 5 POSSIBILITY TO PUT TWO OR THREE TERMINAL BLOCKS SIDE BY SIDE BY INCREASING THE DIAMETER OF THE PCB HOLES TO MINIMUM 1.3mm.
- △ NOT CUMULATIVE TOLERANCE.



DIM. A	N° OF POS.	PART NUMBER
30.94	12	1-282834-2
28.40	11	1-282834-1
25.86	10	1-282834-0
23.32	9	282834-9
20.78	8	282834-8
18.24	7	282834-7
15.70	6	282834-6
13.16	5	282834-5
10.62	4	282834-4
8.08	3	282834-3
5.54	2	282834-2

RECOMMENDED PC BOARD LAYOUT



<small>THIS DRAWING IS A CONTROLLED DOCUMENT FOR ESD/STATISTICAL CORRELATION. IT IS SUBJECT TO CHANGE AND THE CONTROLLING ENGINEERING ORGANIZATION SHOULD BE CONTACTED FOR THE LATEST REVISION.</small>		DWN 15AUG2001 E. ZANOLINI CHK 15AUG2001 D. BIEVENOUR APVD 15AUG2001 D. BIEVENOUR	<b>BUCHANAN</b> Tyco Electronics Harrisburg, PA 17105-3608
DIMENSIONS: mm 	TOLERANCES UNLESS OTHERWISE SPECIFIED: 0 PLC ±.3 1 PLC ±.3 2 PLC ±.25 3 PLC ±.3 4 PLC ±.3 ANGLES ±.2	NAME PRODUCT SPEC 108-20166 APPLICATION SPEC 114-20079 WEIGHT -	TERMINAL BLOCK PCB MOUNT SIDE WIRE ENTRY STACKING 2.54mm PITCH
MATERIAL △ FINISH △	SIZE A3 CAGE CODE 00779 DRAWING NO. G-282834	RESTRICTED TO -	CUSTOMER DRAWING SCALE 5:1 SHEET 1 OF 1 REV C

AMP 1470-19 REV 31MAR2000

Pro/ENGINEER DRAWING