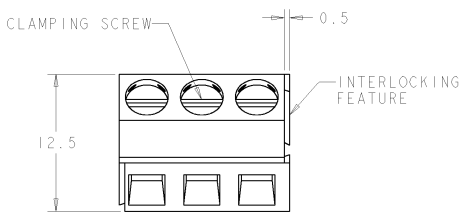
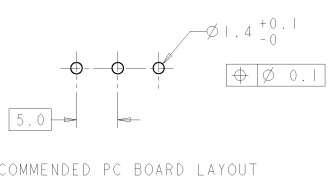
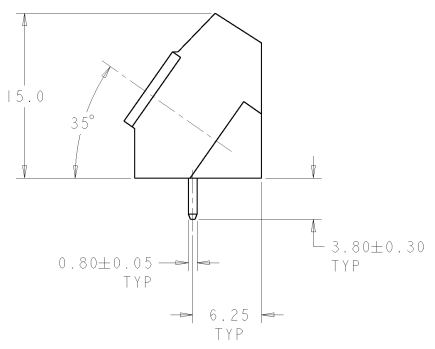
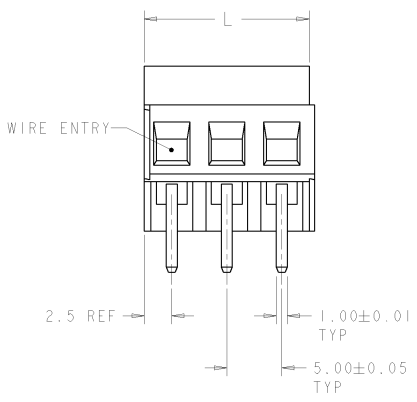


REV. NO.	DATE	BY	APP'D.	DESCRIPTION
0				RELEASED



- MATERIALS AND FINISH:**
 HOUSING: PA 6-6, UL 94-V0, COLOR: BLACK.
 CLAMP: BRASS, NICKEL PLATED.
 TERMINAL: BRASS, TIN PLATED.
 CLAMPING SCREW: M3, BRASS, NICKEL PLATED.
- SUITABLE FOR 1.6-2.4mm PCB THICKNESS.
 - END-TO-END STACKABLE W/INTERLOCK, WITHOUT LOSS OF CENTERLINE SPACING.
 - WIRE RANGE: 12-30 AWG.
 - RECOGNIZED UNDER THE COMPONENT PROGRAM OF UNDERWRITERS LABORATORIES INC. FILE N° E60677.
 - IMO CERTIFICATE WITH SURVEILLANCE IN CONFORMITY WITH IEC 998-1/998-2-1.
- NOT CUMULATIVE TOLERANCE.



NO. OF POSN	PART NUMBER
120.0	24 2-796689-4
115.0	23 2-796689-3
110.0	22 2-796689-2
105.0	21 2-796689-1
100.0	20 2-796689-0
95.0	19 1-796689-9
90.0	18 1-796689-8
85.0	17 1-796689-7
80.0	16 1-796689-6
75.0	15 1-796689-5
70.0	14 1-796689-4
65.0	13 1-796689-3
60.0	12 1-796689-2
55.0	11 1-796689-1
50.0	10 1-796689-0
45.0	9 796689-9
40.0	8 796689-8
35.0	7 796689-7
30.0	6 796689-6
25.0	5 796689-5
20.0	4 796689-4
15.0	3 796689-3
10.0	2 796689-2

DIMENSIONS: mm TOLERANCES: UNLESS OTHERWISE SPECIFIED: 0 PLC ±.3 1 PLC ±.3 2 PLC ±.25 3 PLC ±.25 4 PLC ±.25 5-62 ANGLES ±.2 FINISH -		DWN: S. WELDON 02SEP2003 CBY: RICHARD 02SEP2003 APP'D: RICHARD 02SEP2003 PRODUCT SPEC: 108-20166 APPLICATION SPEC: 114-20079 WEIGHT: - CUSTOMER DRAWING	BUCHANAN Tyco Electronics Harrisburg, PA 17105-3608 NAME: TERMINAL BLOCK, PCB MOUNT ANGLED WIRE ENTRY, STACKING W/INTERLOCK, 5.0mm PITCH SIZE: A2 CASE CODE: 100779 DRAWING NO: 796689 RESTRICTED TO: - SCALE: 3:1 SHEET 1 OF 1 REV A
--	--	---	---