

4

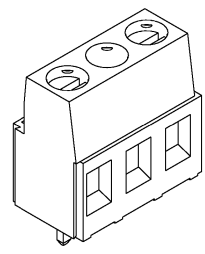
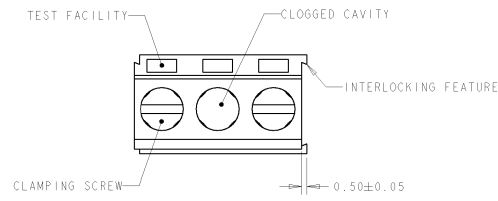
3

2

1

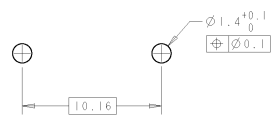
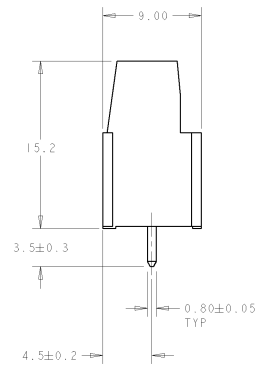
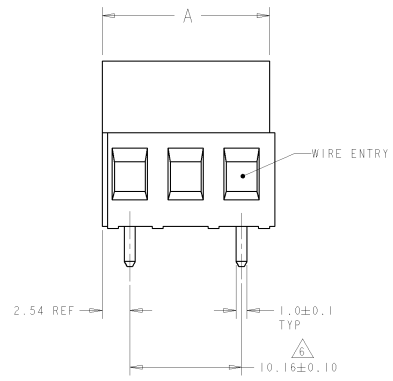
THIS DRAWING IS UNPUBLISHED. RELEASED FOR PUBLICATION BY TICO ELECTRONICS CORPORATION. ALL RIGHTS RESERVED.

REV. NO.		REVISIONS		DATE	BY	CHKD
TR	LYR	DESCRIPTION				
E		REVISED EC 0038-0716-03		2/02/2003	SW	CR



282843-2 AS SHOWN

- 1. MATERIALS AND FINISH:
HOUSING: PA 6-6, UL 94-V0, COLOR: GREEN.
CLAMP: BRASS, NICKEL PLATED.
TERMINAL: BRASS, TIN PLATED.
CLAMPING SCREW: M3, BRASS, NICKEL PLATED.
- 2. SUITABLE FOR 1.6-2.4mm, PCB THICKNESS.
- 3. WIRE SIZE RANGE
SOLID WIRE: 0.03-2.5mm² (13AWG)
STRANDED WIRE: 0.03-1.5mm² (15AWG)
- 4. RECOGNIZED UNDER THE COMPONENT PROGRAM OF UNDERWRITERS LABORATORIES INC. FILE No E60677.
- 5. IMO CERTIFICATE WITH SURVEILLANCE IN CONFORMITY WITH IEC 998-1/998-2-1.
- 6. NOT CUMULATIVE TOLERANCE.
- 7. INK MARKING: COLOR BLACK.



RECOMMENDED PC BOARD LAYOUT SCALE 5:1

SEE DETAIL L	15.24	3	1-282843-4
-	127.00	13	1-282843-3
-	116.84	12	1-282843-2
-	106.68	11	1-282843-1
-	96.52	10	1-282843-0
-	86.36	9	282843-9
-	76.20	8	282843-8
-	66.04	7	282843-7
-	55.88	6	282843-6
-	45.72	5	282843-5
-	35.56	4	282843-4
-	25.40	3	282843-3
-	15.24	2	282843-2
MARKING	A	POSN	PART NUMBER

DIMENSIONS: mm		DRAWN: J. ZANOLINI		DATE: 02/02/03	
MATERIAL: PA 6-6		CHKD: D. BIEVENDOR		DATE: 02/02/03	
FINISH: NICKEL PLATED		APPD: D. BIEVENDOR		DATE: 02/02/03	
WEIGHT: -		APPROVED: -		DATE: -	
CUSTOMER DRAWING		CASE CODE: A2100779		DRAWING NO: 282843	
SCALE: 4:1		SHEET: 1 OF 2		REV: E	

